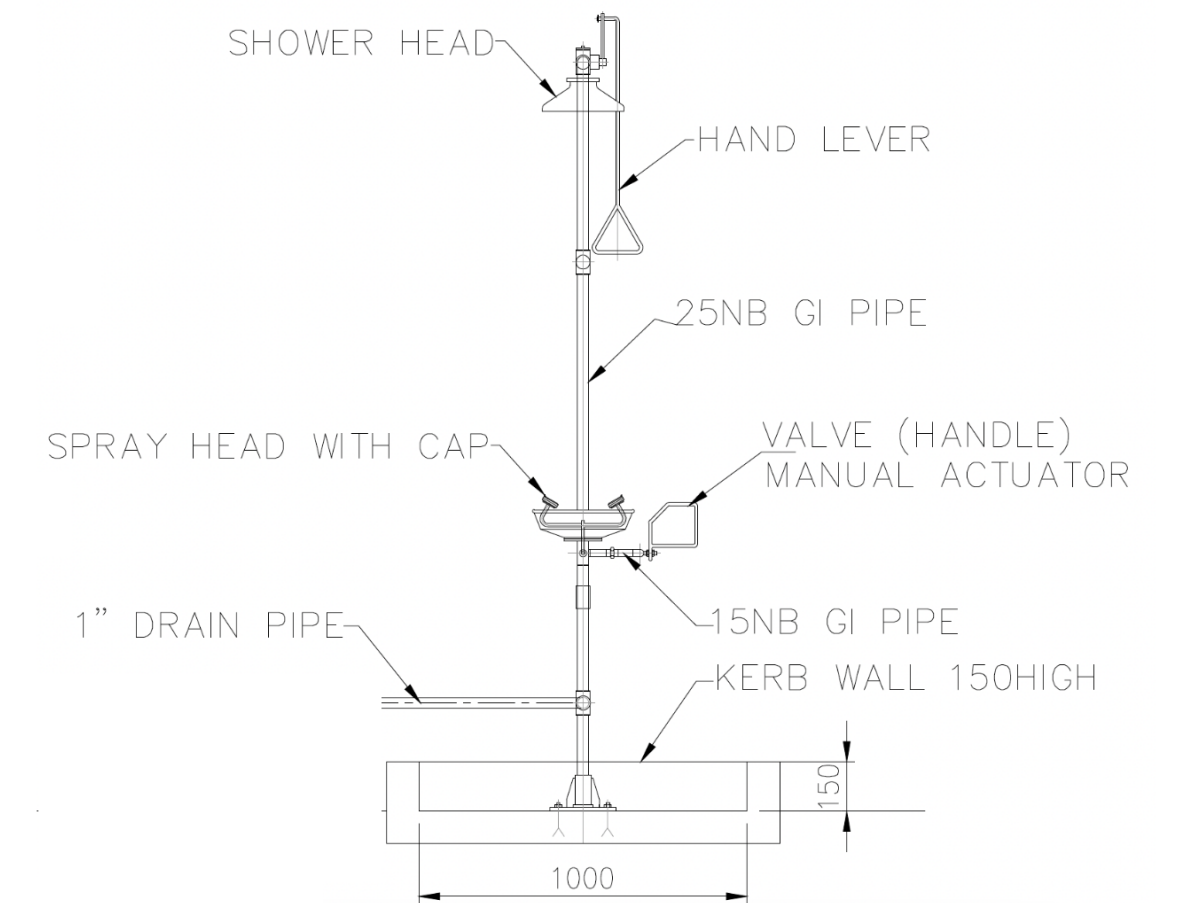


SYMBOLS - PIPES, VALVES AND EQUIPMENT			
—	COLD WATER LINE	F	FAUCET
⊗	WATER METER	LAV	LAVATORY
∩	GATE VALVE	WC	WATER CLOSET
Z	CHECK VALVE	SH	SHOWERHEAD
		ES	EMERGENCY SHOWER

**1 COLD WATER LINE**  
Pb-01 SCALE NTS



**2 EMERGENCY SHOWER DETAILS**  
Pb-01 SCALE NTS



UNIT 307, ECG BUILDING, GENERAL AVENUE  
TANDANG SOBA, QUEZON CITY 1116 PH

SERVICES OFFERED:  
PLUMBING DESIGN  
PLUMBING WORKS  
STRUCTURAL DESIGN  
ENGINEERING DESIGN AND REVIEW  
EQUIPMENT AND MATERIAL SELECTION  
ELECTRICAL DESIGN & CALCULATIONS

DESIGN ENGINEER:  
**ENGINEER'S NAME**

PROJECT:  
**JHMC WASTE WATER TREATMENT PLANT**

CLIENT:  
**JOHN HAY MANAGEMENT CORPORATION**

ADDRESS:  
**CAMP JOHN HAY, BAGUO**

REVISIONS:

NO.	DESCRIPTION	DATE
0	ORIGINAL ISSUE	-
1.1	-	-
1.2	-	-
1	-	-

CONTRACT NO.: **WW-22-JHMC-DC-05** STAGE: **CONCEPT DESIGN**

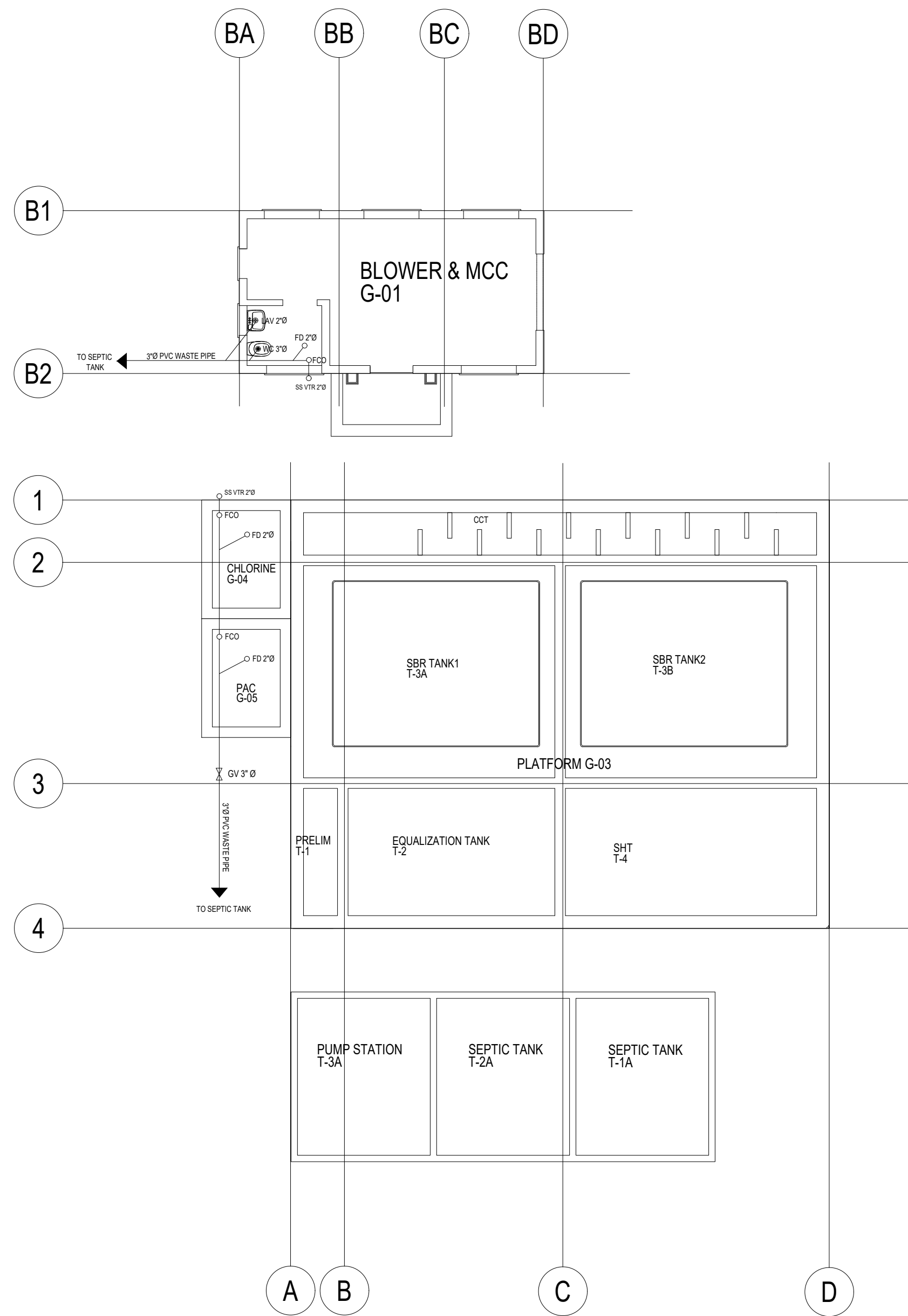
SHEET CONTENTS:  
**COLD WATER LINE DETAILS**

SCALE: **NTS** DATE: \_\_\_\_\_

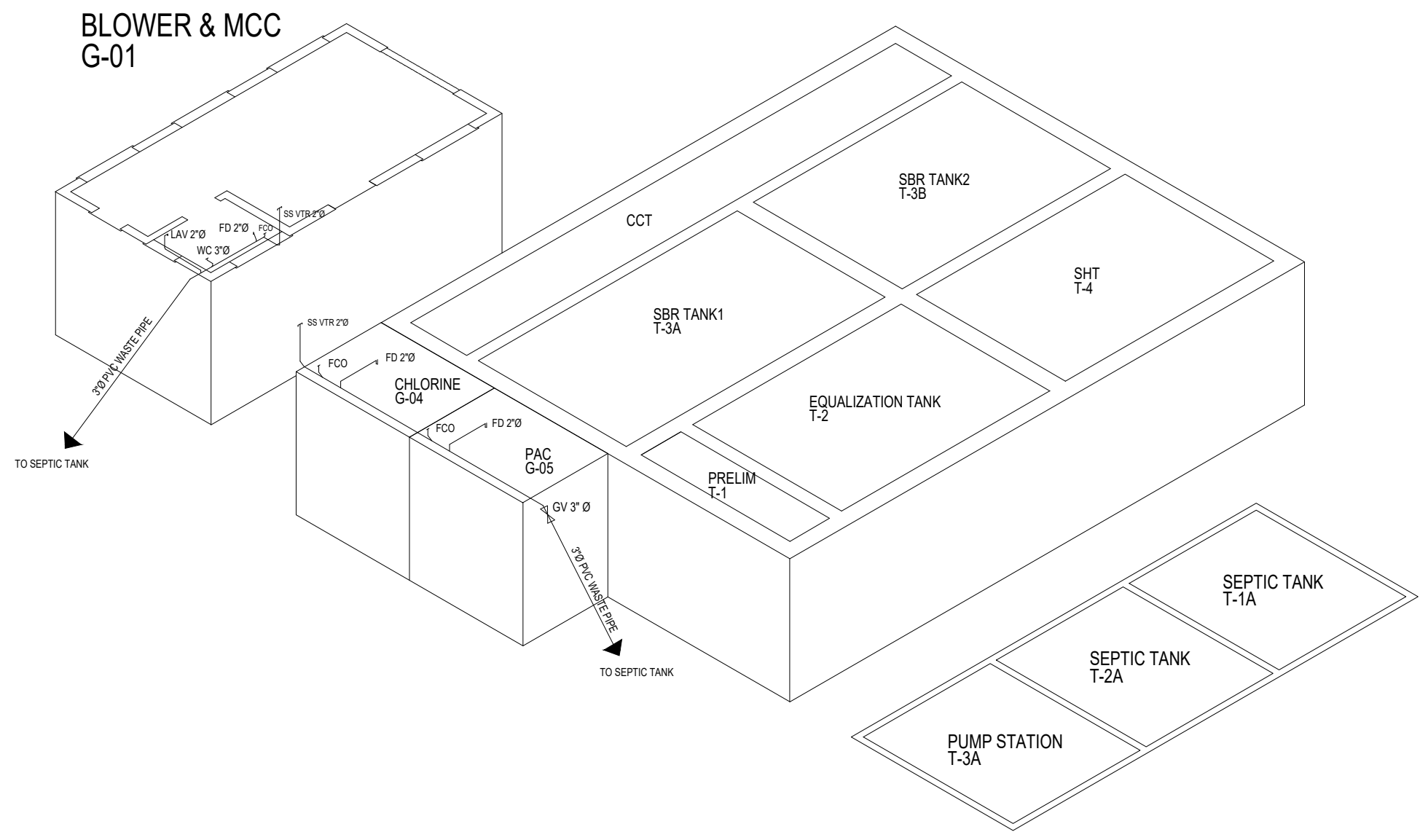
SHEET NO. **01** OF **03**

PLUMBING

DRAWINGS AND SPECIFICATIONS DULY SIGNED ARE INTELLECTUAL PROPERTIES AND DOCUMENTS OF ANTHROSERV. WHETHER THE OBJECT FOR WHICH THEY ARE MADE IS EXECUTED OR NOT, NO PART OF THIS DRAWING SHALL BE COPIED OR REPRODUCED (EITHER IN PART OR IN WHOLE) UNLESS OTHERWISE WITH THE CONSENT & APPROVAL OF THE UNDERSIGNED DESIGNER.



SYMBOLS - PIPES, VALVES AND EQUIPMENT			
—	SANITARY LINE	FCO	FLOOR CLEANOUT
WC	WATER CLOSET	SS	SOIL STOP
LAV	LAVATORY	VTR	VENT THRU ROOF
⌘	GATE VALVE		



1
**SANITARY LINE**  
 SCALE: \_\_\_\_\_ NTS



UNIT 307, ECG BUILDING, GENERAL AVENUE  
 TANDANG SOBA, QUEZON CITY 1118 PHILIPPINES  
 SERVICES OFFERED:  
 PLUMBING DESIGN  
 PLUMBING WORKS  
 STRUCTURAL DESIGN  
 EQUIPMENT AND MATERIAL SELECTION  
 ELECTRICAL DESIGN & CALCULATIONS

**DESIGN ENGINEER:**  
 \_\_\_\_\_  
**ENGINEER'S NAME**  
 \_\_\_\_\_  
**PROJECT:**  
**JHMC WASTE WATER TREATMENT PLANT**  
**CLIENT:**  
**JOHN HAY MANAGEMENT CORPORATION**  
**ADDRESS:**  
 CAMP JOHN HAY, BAGUO

**REVISIONS:**  

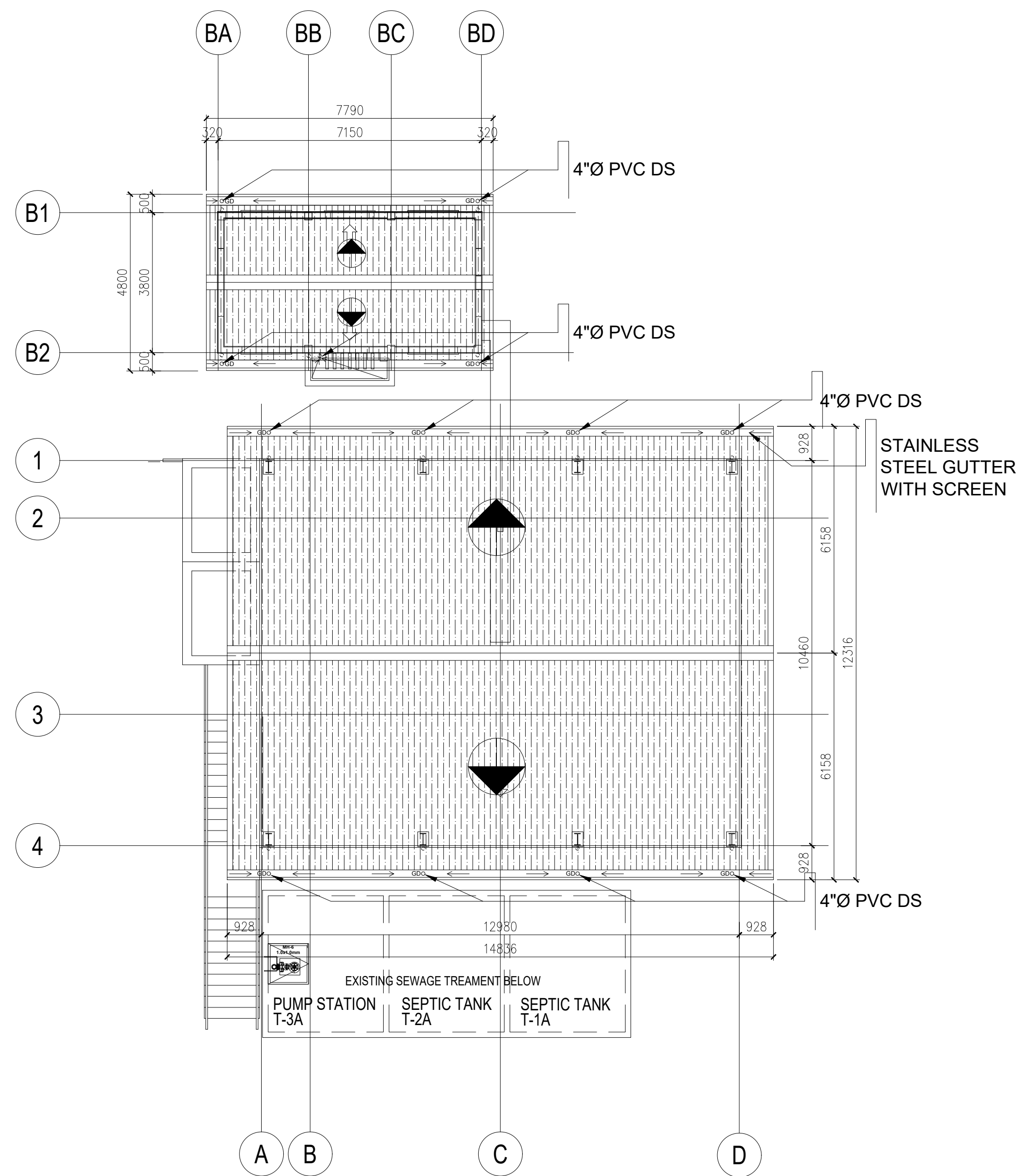
NO.	DESCRIPTION	DATE
0	ORIGINAL ISSUE	-
1.1	-	-
1.2	-	-
1	-	-

**CONTRACT NO.:** WW-22-JHMC-DC-05 **STAGE:** CONCEPT DESIGN  
**SHEET CONTENTS:**  
**SANITARY LINE DETAILS**  
**SCALE:** NTS **DATE:** \_\_\_\_\_

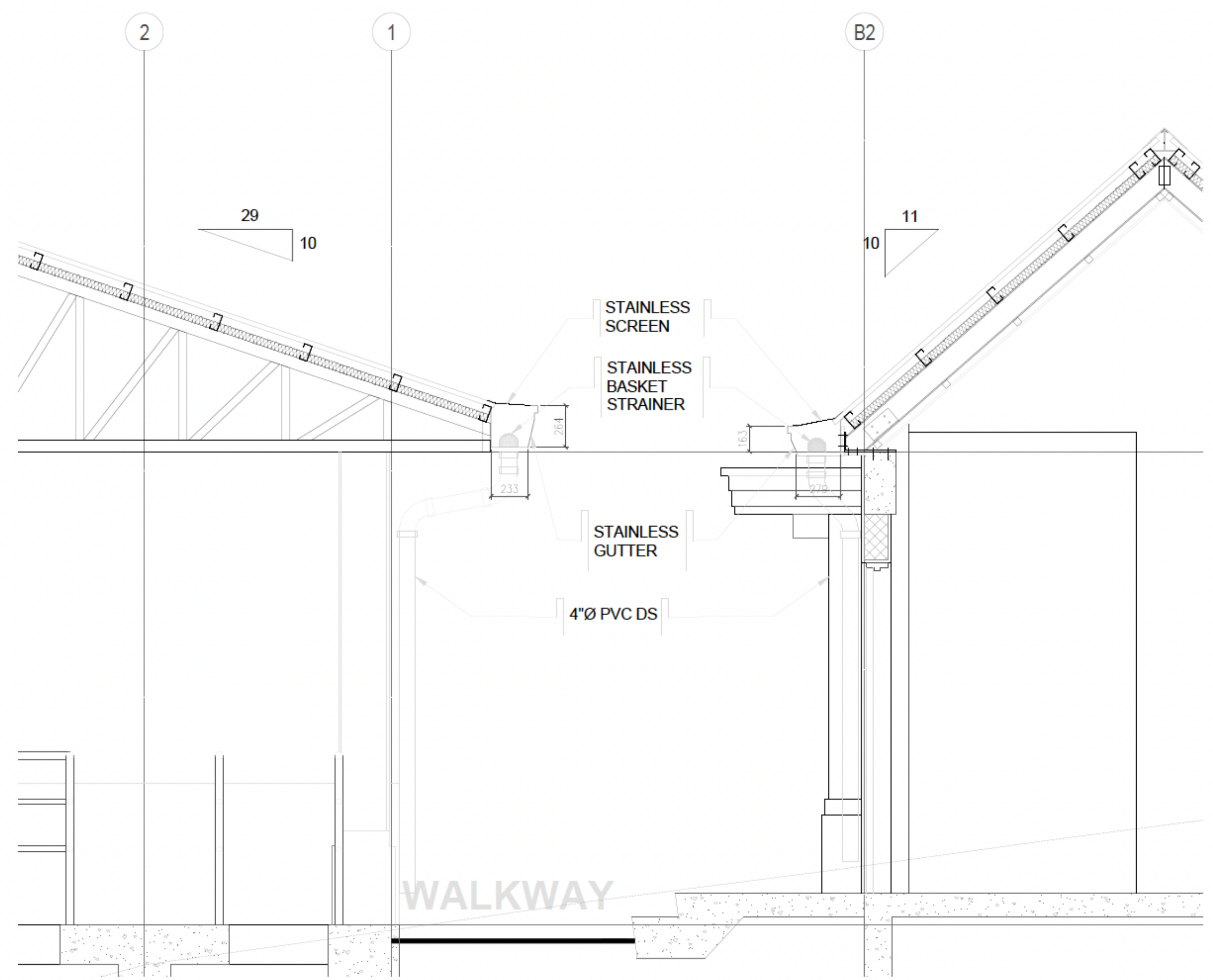
SHEET NO.  
02 03  
 PLUMBING

DRAWINGS AND SPECIFICATIONS DULY SIGNED ARE INTELLECTUAL PROPERTIES AND DOCUMENTS OF ANTHROSERV. WHETHER THE OBJECT FOR WHICH THEY ARE MADE IS EXECUTED OR NOT, NO PART OF THIS DRAWING SHALL BE COPIED OR REPRODUCED (EITHER IN PART OR IN WHOLE) UNLESS OTHERWISE WITH THE CONSENT & APPROVAL OF THE UNDERSIGNED DESIGNER.





**1 ROOFING DETAILS**  
 Pb-03 SCALE NTS



**2 DOWNSPOUT DETAILS**  
 Pb-03 SCALE NTS



UNIT 307, ECG BUILDING, GENERAL AVENUE  
 TANDANG SOBA, QUEZON CITY 1116 PHILIPPINES  
 SERVICES OFFERED:  
 PLUMBING DESIGN  
 PLUMBING WORKS  
 STRUCTURAL DESIGN  
 ENGINEERING DESIGN AND REVIEW  
 EQUIPMENT AND MATERIAL SELECTION  
 ELECTRICAL DESIGN & CALCULATIONS

DESIGN ENGINEER:  
 ENGINEER'S NAME  
 PTR NO.:  
 DATE ISSUED:  
 PLACE ISSUED:

PROJECT:  
 JHMC WASTE WATER TREATMENT PLANT  
 ADDRESS:  
 CAMP JOHN HAY, BAGUO

CLIENT:  
 JOHN HAY MANAGEMENT CORPORATION  
 CLIENT'S NAME

REVISIONS:

NO.	DESCRIPTION	DATE
0	ORIGINAL ISSUE	-
1.1	-	-
1.2	-	-
1	-	-

CONTRACT NO.: WW-22-JHMC-DC-05 STAGE: CONCEPT DESIGN  
 SHEET CONTENTS:  
 ROOFING DETAILS  
 SCALE NTS DATE

SHEET NO.  
 PLUMBING  
 03 03

DRAWINGS AND SPECIFICATIONS DULY SIGNED ARE INTELLECTUAL PROPERTIES AND DOCUMENTS OF ANTHROSERV. WHETHER THE OBJECT FOR WHICH THEY ARE MADE IS EXECUTED OR NOT, NO PART OF THIS DRAWING SHALL BE COPIED OR REPRODUCED (EITHER IN PART OR IN WHOLE) UNLESS OTHERWISE WITH THE CONSENT & APPROVAL OF THE UNDERSIGNED DESIGNER.