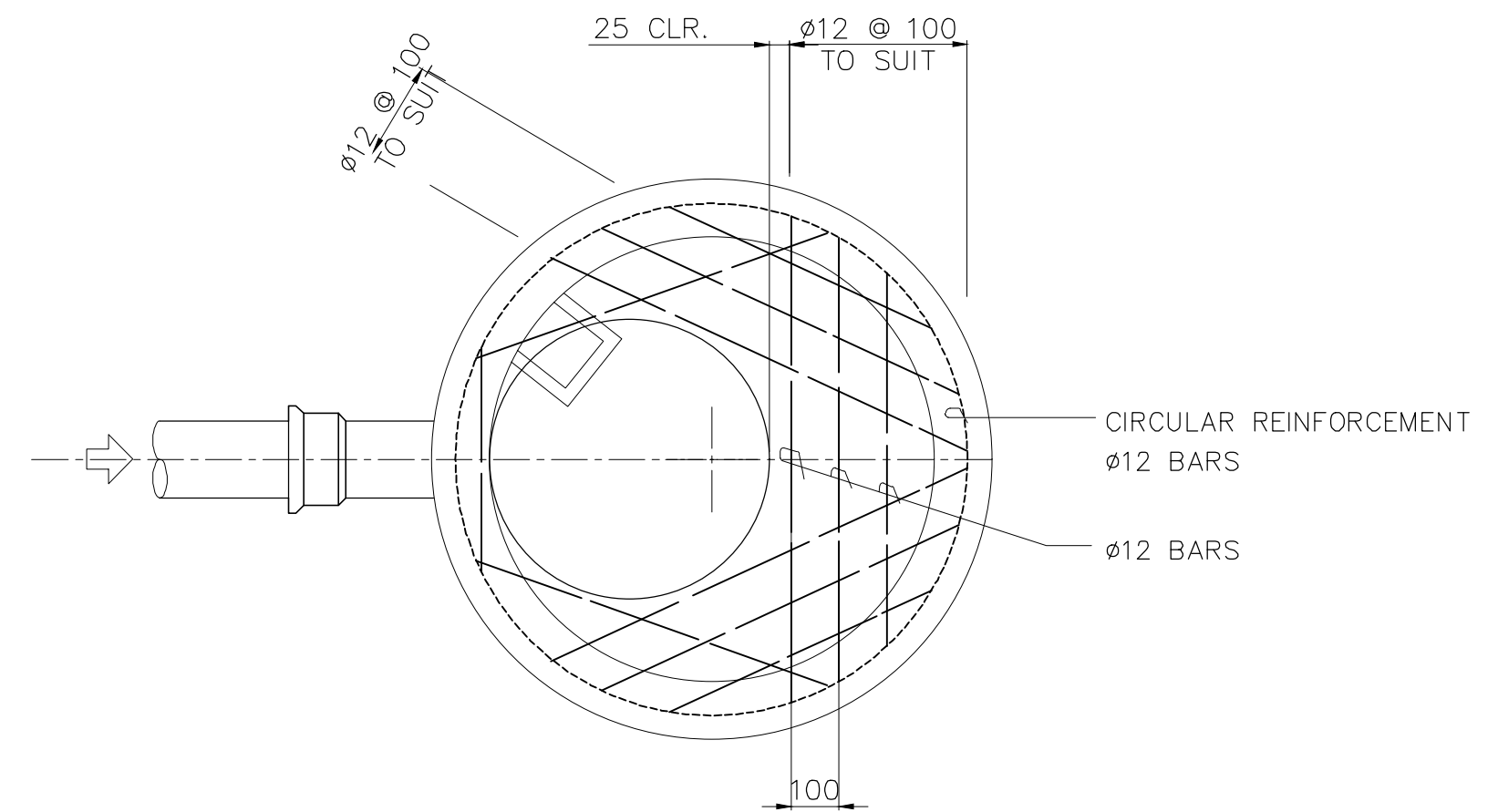


1 SEWER MANHOLE SECTION
C-2 PLAN NTS



2 SEWER MANHOLE PLAN VIEW
C-3 PLAN NTS

ANTHROSERV

UNIT 307, ECG BUILDING, GENERAL AVENUE
TANDANG SORA, QUEZON CITY 1116 MM

SERVICES OFFERED:
PLANT DESIGN
PLUMBING WORKS
STRUCTURAL DESIGN
ENGINEERING DESIGN AND REVIEW
EQUIPMENT AND MATERIAL SELECTION
ELECTRICAL DESIGN & CALCULATIONS

DESIGN ENGINEER:			
ENGINEER'S NAME			
PTR NO.:		PRC NO.:	
DATE ISSUED:	-	VALID UNTIL:	-
PLACE ISSUED:	-	PLACE ISSUED:	-

PROJECT:	JHMC WASTE WATER TREATMENT PLANT
ADDRESS:	BAGUO

CLIENT:	CLIENT'S NAME
---------	---------------

REVISIONS:		
NO.	DESCRIPTION	DATE
0	ORIGINAL ISSUE	-
1.1		-
1.2		-
1		-

CONTRACT NO.:	WW-22-JHMC-DC-05	STAGE:	DETAILED DESIGN
SHEET CONTENTS:			SHEET NO.
SEWER MANHOLE LAYOUT			CONVEYANCE 01 03
SEWER MANHOLE SECTION VIEW			
SCALE	-	DATE	

DRAWINGS AND SPECIFICATIONS DULY SIGNED ARE INTELLECTUAL PROPERTIES AND DOCUMENTS OF ANTHROSERV. THEIR THE OBJECT FOR WHICH THEY ARE MADE IS EXECUTED OR NOT. NO PART OF THIS DRAWING SHALL BE COPIED OR REPRODUCED (EITHER IN PART OR IN WHOLE) UNLESS OTHERWISE WITH THE CONSENT & APPROVAL OF THE UNDERSIGNED DESIGNER.