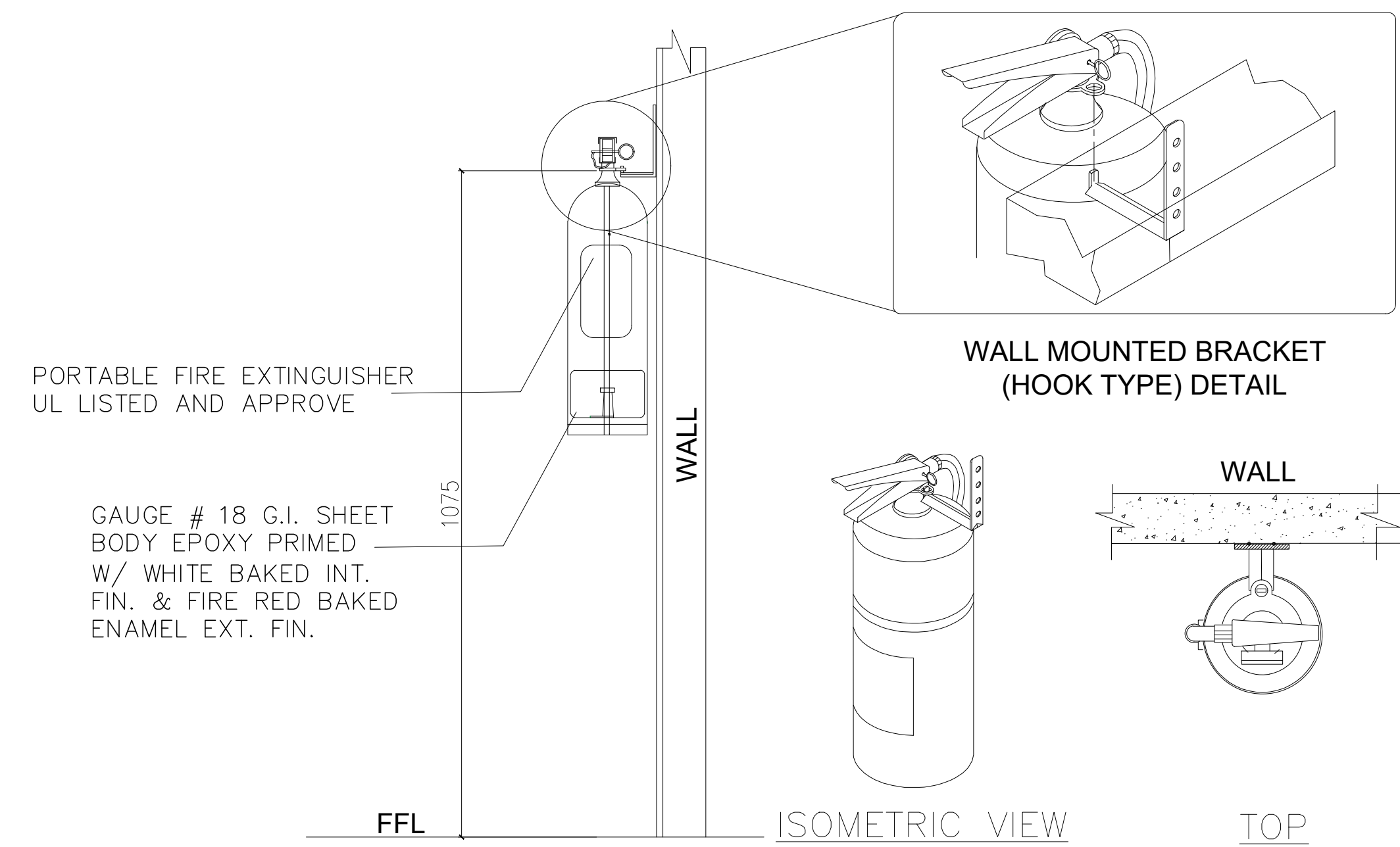


GENERAL NOTES

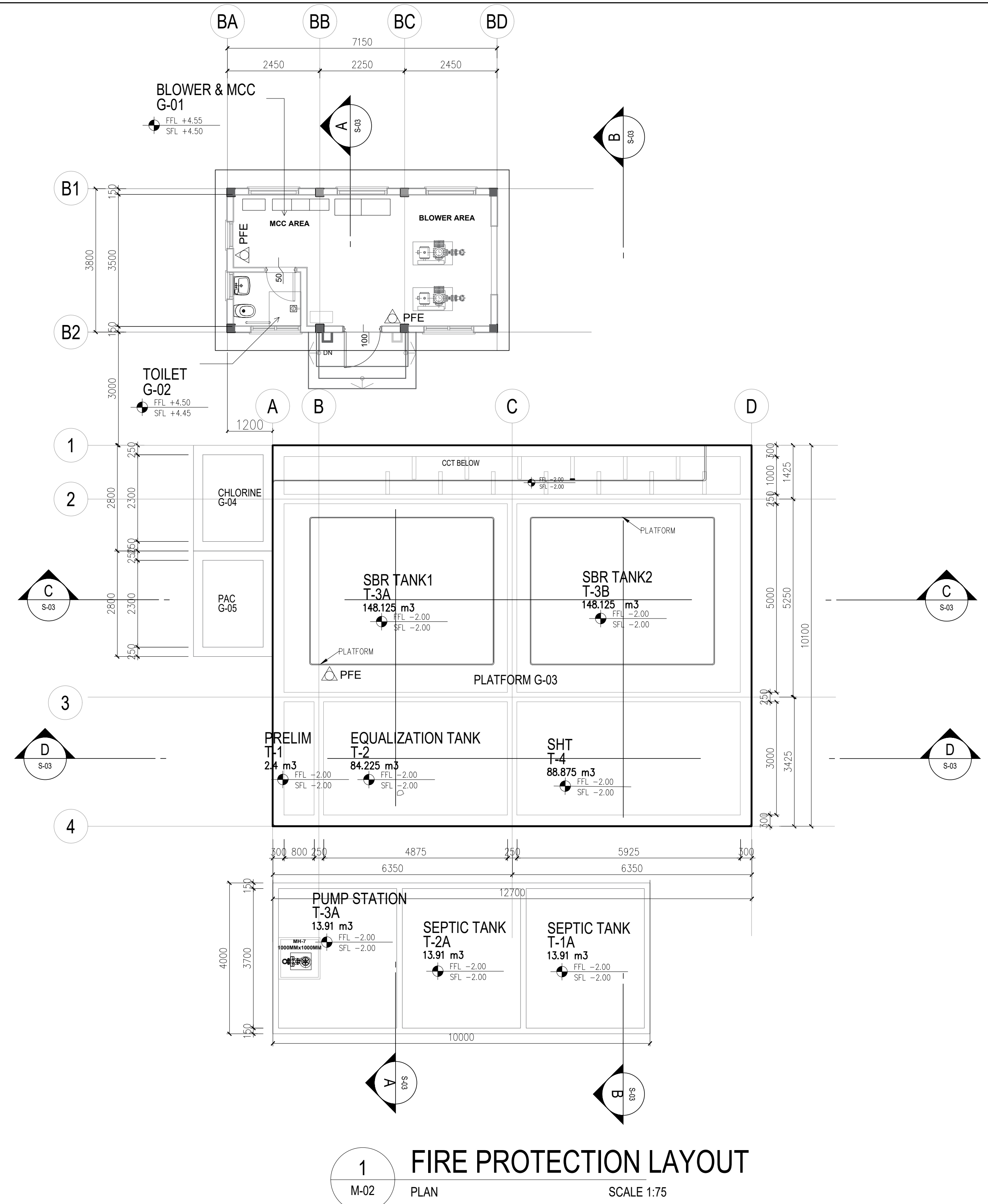
1. ALL WORKS HEREIN INCLUDED SHALL BE EXECUTED ACCORDING TO THE PROVISIONS OF THE FIRE CODE OF THE PHILIPPINES, THE NATIONAL FIRE CODE BY THE NFPA, AND ALL AUTHORITY HAVING JURISDICTION.
2. PROVIDE 10 LBS. HALOTRON PORTABLE FIRE EXTINGUISHERS TO ALL ELECTRICAL ROOMS AND TO OTHER ROOMS OF THE SAME USAGE.
3. ALL PORTABLE FIRE EXTINGUISHER (PFE) INSIDE FIRE HOSE CABINETS SHALL BE "ABC" TYPE DRY CHEM. UNLESS OTHERWISE SPECIFIED.
4. PROVIDE NECESSARY EARTHQUAKE PROTECTION AS REQUIRED UNDER NFPA AND UNIFORM BUILDING CODE.
5. FIRE PROTECTION PLANS AND LAYOUT SHALL BE SUBMITTED TO AUTHORITY HAVING JURISDICTION (AHJ) FOR THEIR APPROVAL PRIOR TO CONSTRUCTION.
6. EXACT LOCATION AND QUANTITY OF PORTABLE FIRE EXTINGUISHER SHALL BE DETERMINED BY AUTHORITY HAVING JURISDICTION (AHJ).


LEGENDS & SYMBOLS:

 (PFE) PORTABLE FIRE EXTINGUISHER



 FIRE EXTINGUISHER DET.  
PLAN NTS



 <p>UNIT 307, ECG BUILDING, GENERAL AVENUE TANDANG SORA, QUEZON CITY 1116 MM</p> <p>SERVICES OFFERED: PLANT DESIGN PLUMBING WORKS STRUCTURAL DESIGN ENGINEERING DESIGN AND REVIEW EQUIPMENT AND MATERIAL SELECTION ELECTRICAL DESIGN &amp; CALCULATIONS</p>	DESIGN ENGINEER:		PROJECT:	CLIENT:	REVISIONS:	CONTRACT NO.:	STAGE:	DETAILED DESIGN	
	ENGINEER'S NAME		JHMC WASTE WATER TREATMENT PLANT			NO. DESCRIPTION DATE	WW-22-JHMC-DC-05		SHEET NO.
	PTR NO.:	-	PRC NO.:	-		0 ORIGINAL ISSUE -			MECHANICAL
	DATE ISSUED:	-	DATE EXPIRY:	-		1.1 -			02 12
PLACE ISSUED:	-	PLACE ISSUED:	-	ADDRESS: MINDORO	CLIENT'S NAME	1 -	SCALE	DATE	

DRAWINGS AND SPECIFICATIONS DULY SIGNED ARE INTELLECTUAL PROPERTIES AND DOCUMENTS OF ANTHROSERVI. WHETHER THE OBJECT FOR WHICH THEY ARE MADE IS EXECUTED OR NOT, NO PART OF THIS DRAWING SHALL BE COPIED OR REPRODUCED (EITHER IN PART OR IN WHOLE) UNLESS OTHERWISE WITH THE CONSENT & APPROVAL OF THE UNDERSIGNED DESIGNER.