



LEGEND:

— INFLUENT

— EFFLUENT

LEGEND (ABBREVIATIONS)

SMH - SEWER MANHOLE

SEG - SEGMENT

PS - PUMP STATION

G.E. - GROUND ELEVATION


I.E. - INVERT ELEVATION

S.O. - STUB OUT

C.O.B. - CLEAN OUT BOX

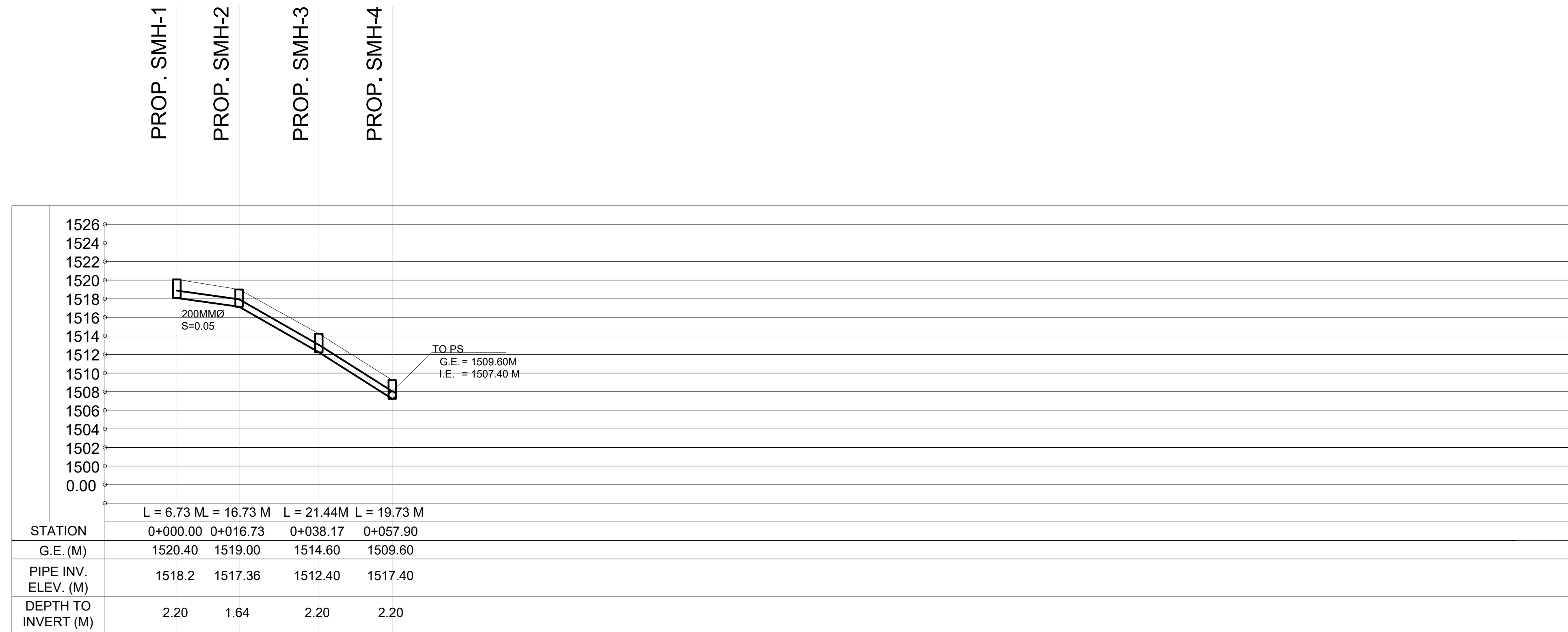
1 CONVEYANCE

C-01 PLAN NTS

 <p>UNIT 307, ECG BUILDING, GENERAL AVENUE TANDANG SORA, QUEZON CITY 1116 MM</p> <p>SERVICES OFFERED: PLANT DESIGN PLUMBING WORKS STRUCTURAL DESIGN ENGINEERING DESIGN AND REVIEW EQUIPMENT AND MATERIAL SELECTION ELECTRICAL DESIGN & CALCULATIONS</p>	DESIGN ENGINEER:		PROJECT:		CLIENT:		REVISIONS:		CONTRACT NO.: WW-22-JHMC-DC-05		STAGE: DETAILED DESIGN			
	ENGINEER'S NAME				JHMC WASTE WATER TREATMENT PLANT				NO. DESCRIPTION DATE		SHEET CONTENTS:		SHEET NO.	
	PTR NO.:		PRC NO.:		ADDRESS: MINDORO		CLIENT'S NAME		0 ORIGINAL ISSUE -		CONVEYANCE LAYOUT		CONVEYANCE	
	DATE ISSUED:		DATE EXPIRY:		PLACE ISSUED:				1.1 -		SCALE -		DATE	
PLACE ISSUED:		PLACE ISSUED:						1.2 -				01 06		
								1 -						

DRAWINGS AND SPECIFICATIONS DULY SIGNED ARE INTELLECTUAL PROPERTIES AND DOCUMENTS OF ANTHROSERV. WHETHER THE OBJECT FOR WHICH THEY ARE MADE IS EXECUTED OR NOT, NO PART OF THIS DRAWING SHALL BE COPIED OR REPRODUCED (EITHER IN PART OR IN WHOLE) UNLESS OTHERWISE WITH THE CONSENT & APPROVAL OF THE UNDERSIGNED DESIGNER.

SMH-1(FOOTBRIDGE) TO SMH-4



LEGEND (ABBREVIATIONS)

- SMH- SEWER MANHOLE
- SEG - SEGMENT
- PS - PUMP STATION
- LS - LIFTING STATION
- G.E. - GROUND ELEVATION
- I.E.-INVERT ELEVATION
- S.O.- STUB OUT
- C.O.B.- CLEAN OUT BOX



DESIGN ENGINEER:			
ENGINEER'S NAME			
PTR NO.:	-	PRC NO.:	-
DATE ISSUED:	-	DATE EXPIRY:	-
PLACE ISSUED:	-	PLACE ISSUED:	-

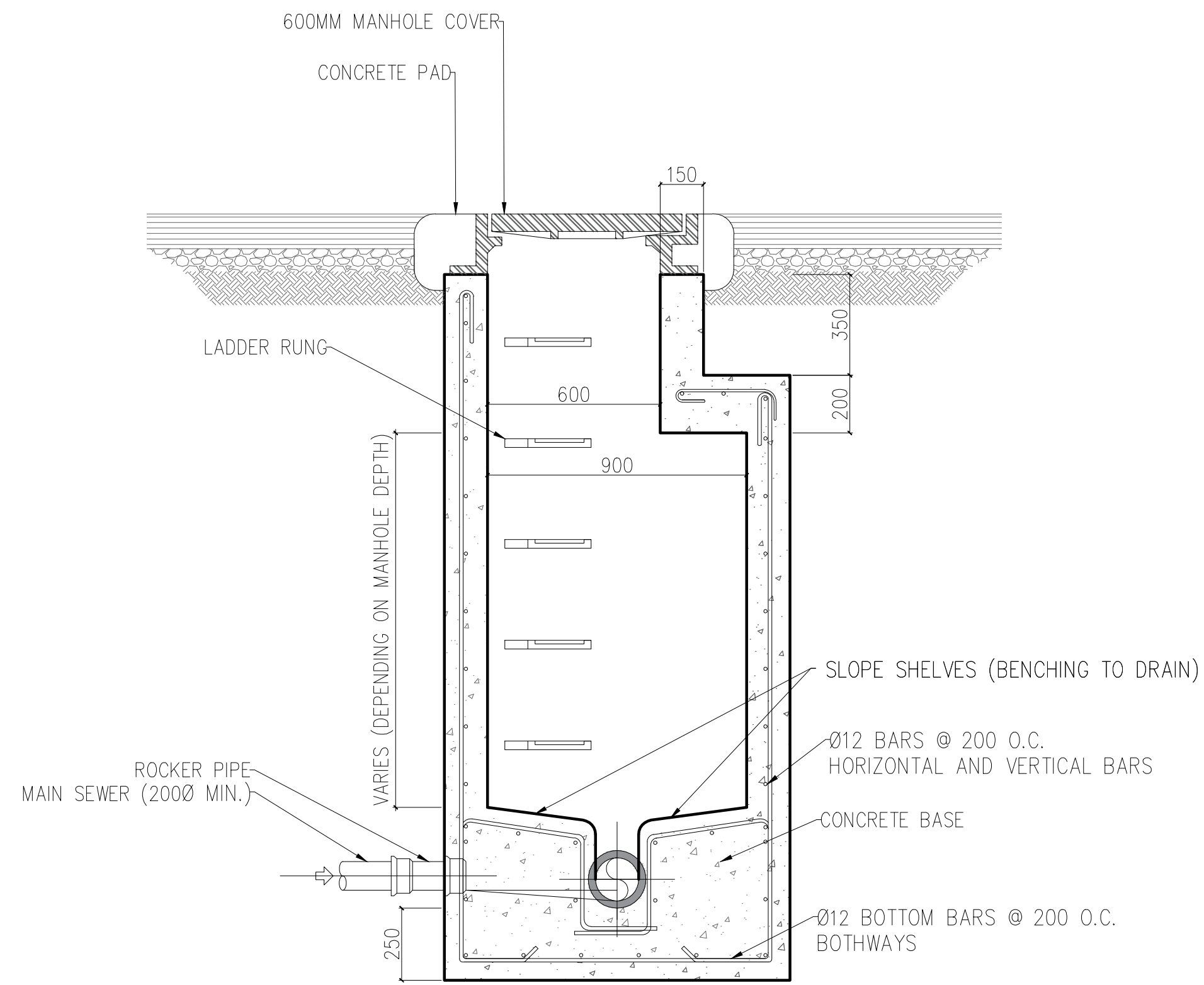
PROJECT:	JHMC WASTE WATER TREATMENT PLANT
ADDRESS:	MINDORO

CLIENT:	CLIENT'S NAME
---------	---------------

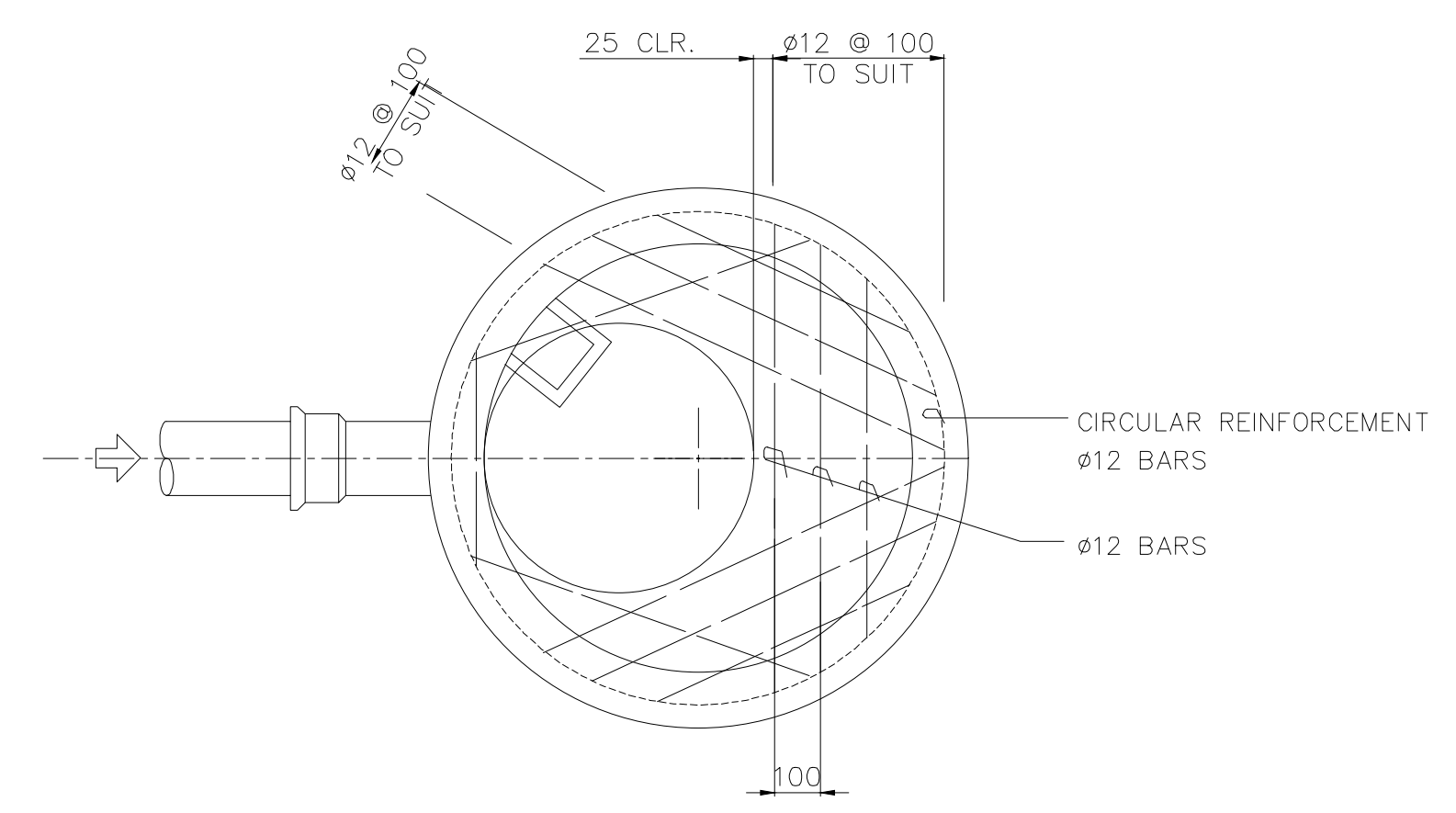
REVISIONS:		
NO.	DESCRIPTION	DATE
0	ORIGINAL ISSUE	-
1.1		-
1.2		-
1		-

CONTRACT NO.:	WW-22-JHMC-DC-05	STAGE:	DETAILED DESIGN
SHEET CONTENTS:			SHEET NO.
MANHOLE ELEVATION			02 06
SCALE	-	DATE	

DRAWINGS AND SPECIFICATIONS DULY SIGNED ARE INTELLECTUAL PROPERTIES AND DOCUMENTS OF ANTHROSERV. WHETHER THE OBJECT FOR WHICH THEY ARE MADE IS EXECUTED OR NOT, NO PART OF THIS DRAWING SHALL BE COPIED OR REPRODUCED (EITHER IN PART OR IN WHOLE) UNLESS OTHERWISE WITH THE CONSENT & APPROVAL OF THE UNDERSIGNED DESIGNER.



1 SEWER MANHOLE SECTION
C-2 PLAN NTS



2 SEWER MANHOLE PLAN VIEW
C-3 PLAN NTS

UNIT 307, ECG BUILDING, GENERAL AVENUE
TANDANG SORA, QUEZON CITY 1116 MM

SERVICES OFFERED:
PLANT DESIGN
PLUMBING WORKS
STRUCTURAL DESIGN
ENGINEERING DESIGN AND REVIEW
EQUIPMENT AND MATERIAL SELECTION
ELECTRICAL DESIGN & CALCULATIONS

DESIGN ENGINEER:			
ENGINEER'S NAME			
PTR NO.:	-	PRC NO.:	-
DATE ISSUED:	-	DATE EXPIRY:	-
PLACE ISSUED:	-	PLACE ISSUED:	-

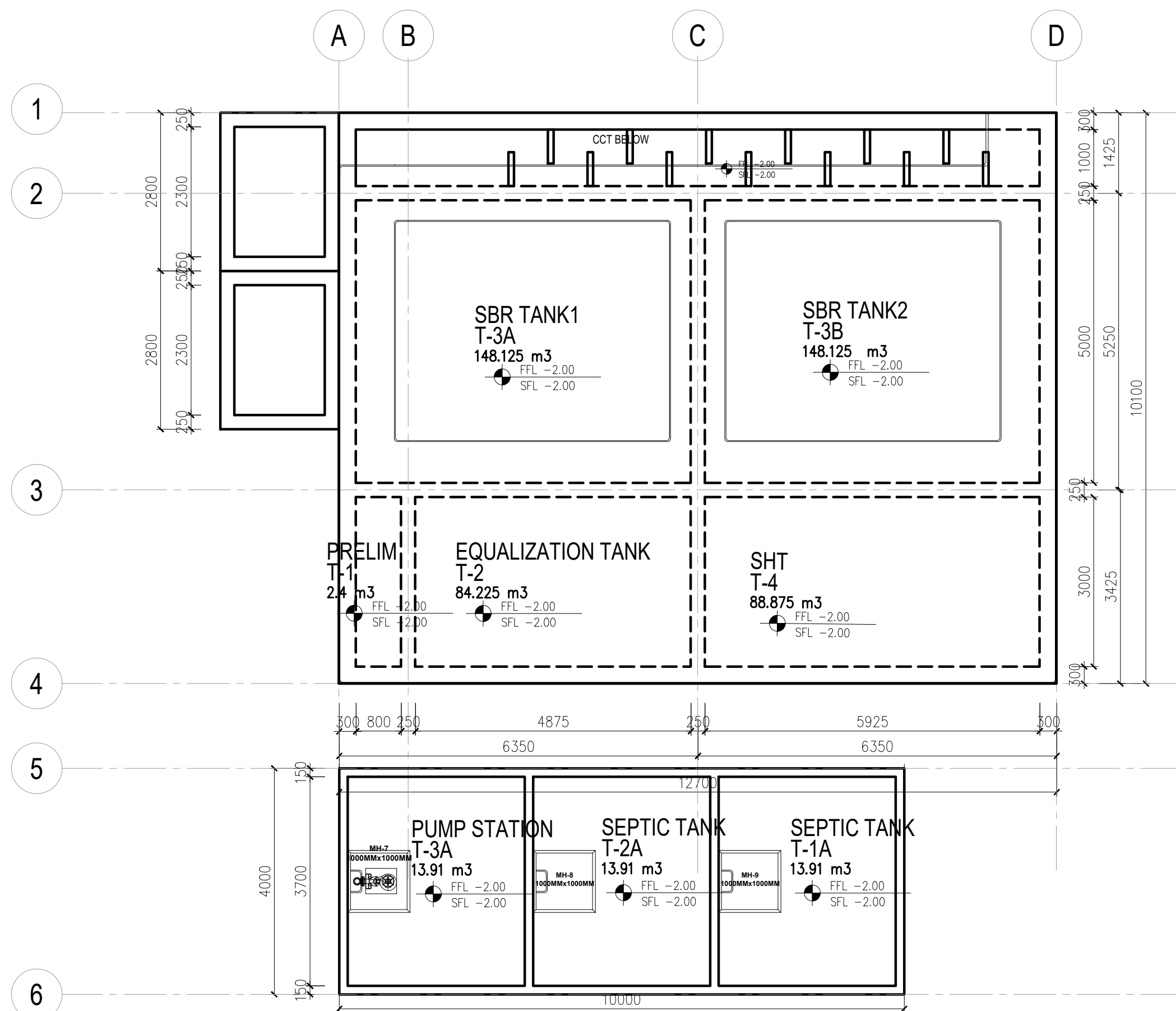
PROJECT:	JHMC WASTE WATER TREATMENT PLANT
ADDRESS:	MINDORO

CLIENT:	CLIENT'S NAME
---------	---------------

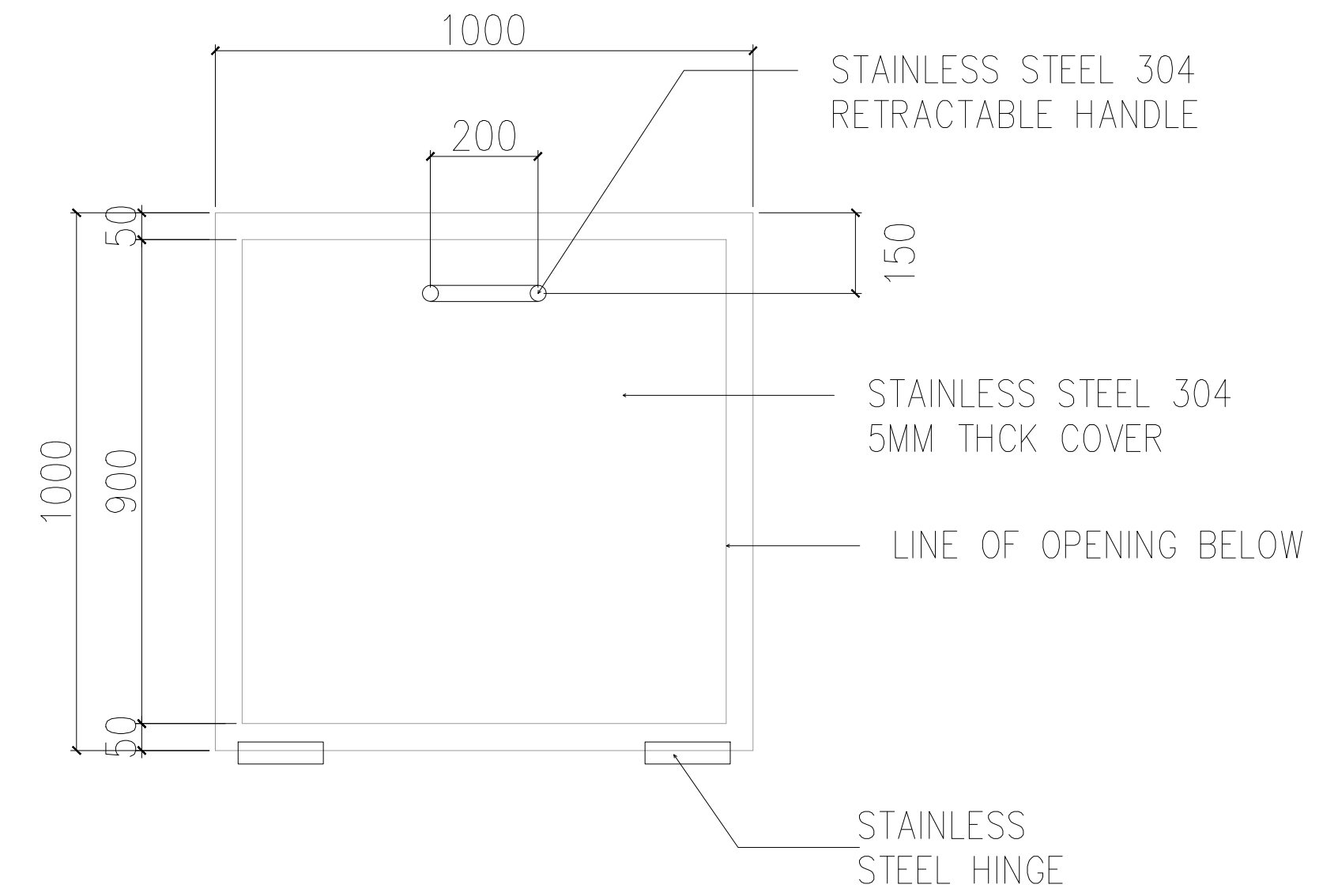
REVISIONS:		
NO.	DESCRIPTION	DATE
0	ORIGINAL ISSUE	-
1.1		-
1.2		-
1		-

CONTRACT NO.:	WW-22-JHMC-DC-05	STAGE:	DETAILED DESIGN
SHEET CONTENTS:			SHEET NO.
SEWER MANHOLE LAYOUT			CONVEYANCE 03 06
SEWER MANHOLE ELEVATION			
SEWER MANHOLE PLAN			
SCALE	-	DATE	

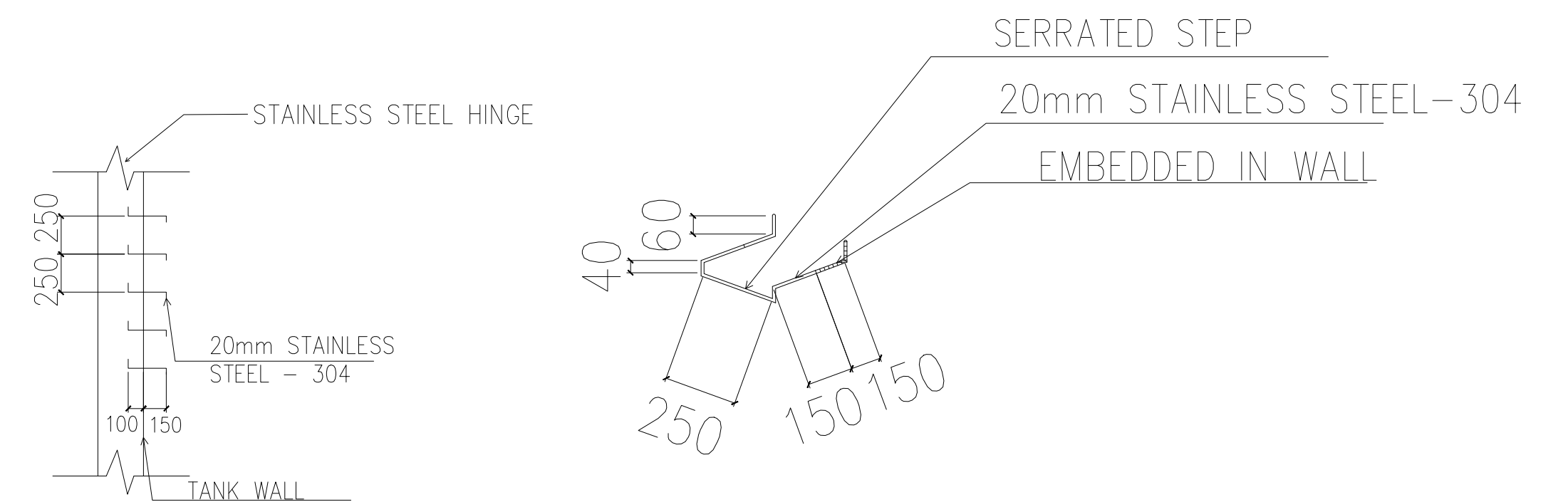
DRAWINGS AND SPECIFICATIONS DULY SIGNED ARE INTELLECTUAL PROPERTIES AND DOCUMENTS OF ANTHROSERV. WHETHER THE OBJECT FOR WHICH THEY ARE MADE IS EXECUTED OR NOT, NO PART OF THIS DRAWING SHALL BE COPIED OR REPRODUCED (EITHER IN PART OR IN WHOLE) UNLESS OTHERWISE WITH THE CONSENT & APPROVAL OF THE UNDERSIGNED DESIGNER.



1 SEPTIC TANK LOCATION
C-4 PLAN SCALE 1:75



2 1000x1000 MANHOLE DETAIL
C-5 PLAN NTS



3 LADDER RUNG DETAIL
C-6 PLAN NTS



UNIT 307, ECG BUILDING, GENERAL AVENUE
TANDANG SORA, QUEZON CITY 1116 MM
SERVICES OFFERED:
PLANT DESIGN
PLUMBING WORKS
STRUCTURAL DESIGN
ENGINEERING DESIGN AND REVIEW
EQUIPMENT AND MATERIAL SELECTION
ELECTRICAL DESIGN & CALCULATIONS

DESIGN ENGINEER:			
ENGINEER'S NAME			
PTR NO.:	-	PRC NO.:	-
DATE ISSUED:	-	DATE EXPIRY:	-
PLACE ISSUED:	-	PLACE ISSUED:	-

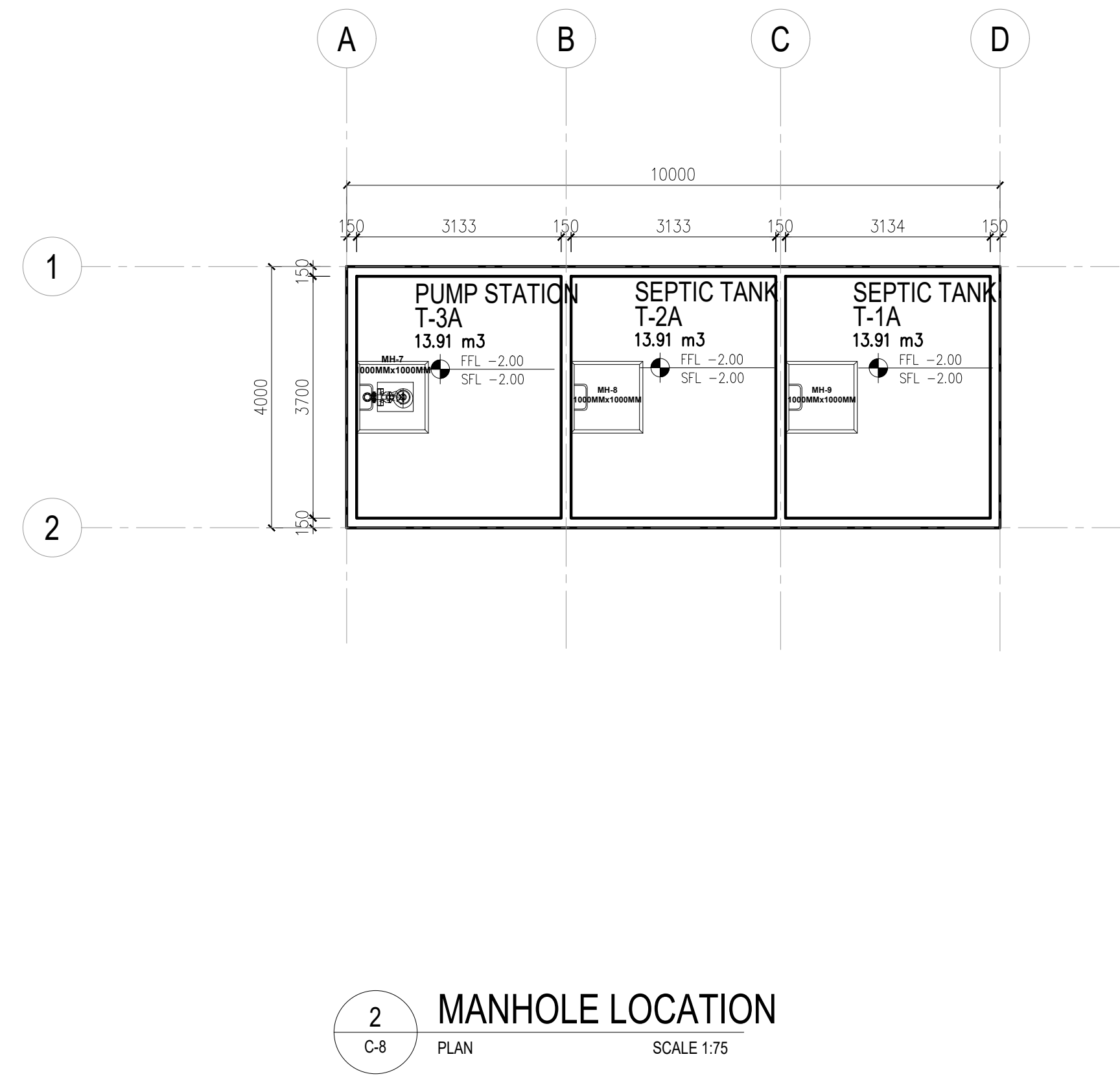
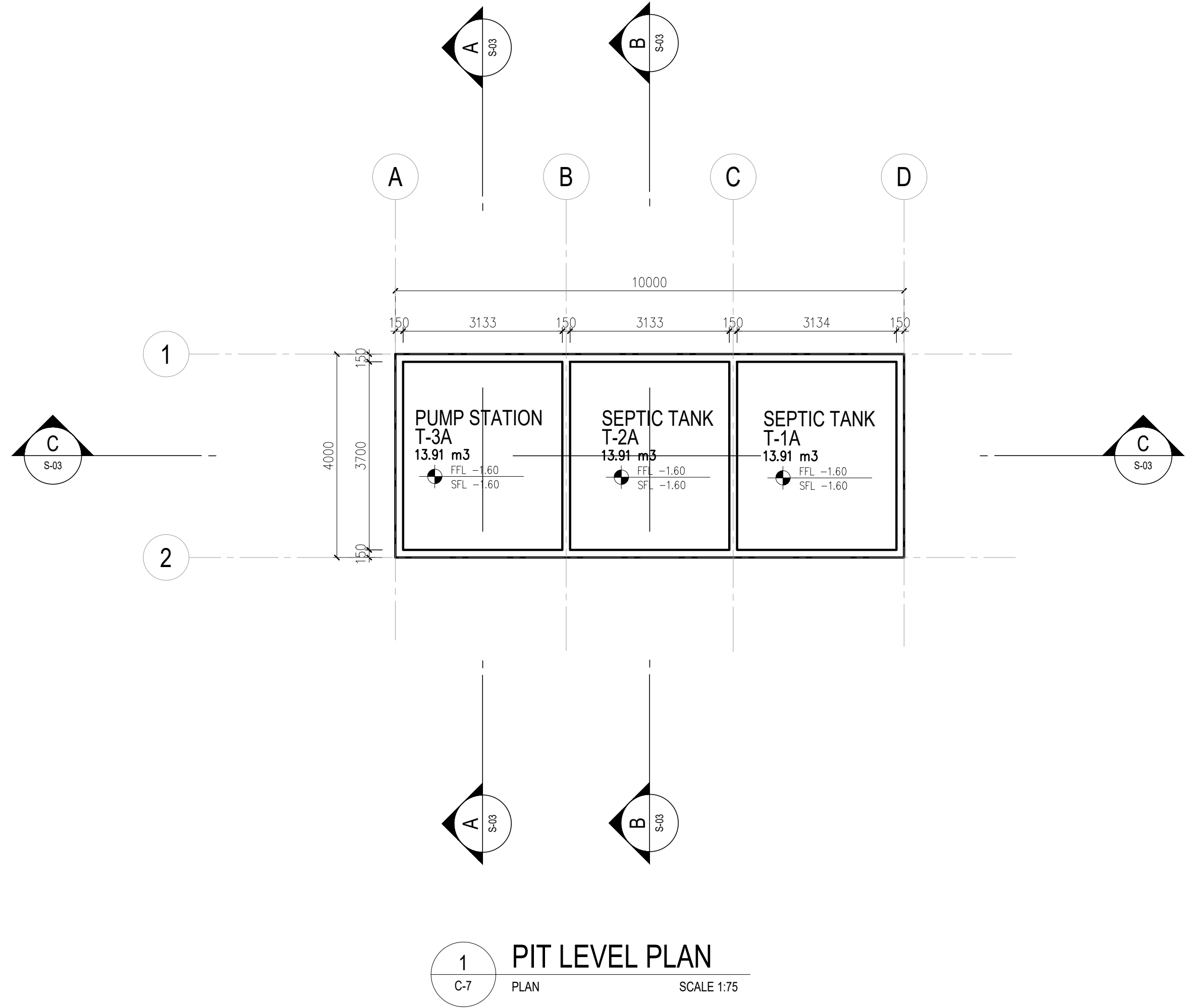
PROJECT:	JHMC WASTE WATER TREATMENT PLANT
ADDRESS:	MINDORO

CLIENT:	CLIENT'S NAME
---------	---------------

REVISIONS:		
NO.	DESCRIPTION	DATE
0	ORIGINAL ISSUE	-
1.1		-
1.2		-
1		-

CONTRACT NO.:	WW-22-JHMC-DC-05	STAGE:	DETAILED DESIGN
SHEET CONTENTS:			SHEET NO.
SEWER MANHOLE LAYOUT			CONVEYANCE 04 06
SEWER MANHOLE ELEVATION			
SEWER MANHOLE PLAN			
SCALE	-	DATE	

DRAWINGS AND SPECIFICATIONS DULY SIGNED ARE INTELLECTUAL PROPERTIES AND DOCUMENTS OF ANTHROSERV. WHETHER THE OBJECT FOR WHICH THEY ARE MADE IS EXECUTED OR NOT, NO PART OF THIS DRAWING SHALL BE COPIED OR REPRODUCED (EITHER IN PART OR IN WHOLE) UNLESS OTHERWISE WITH THE CONSENT & APPROVAL OF THE UNDERSIGNED DESIGNER.



UNIT 307, ECG BUILDING, GENERAL AVENUE
TANDANG SORA, QUEZON CITY 1116 MM

SERVICES OFFERED:
PLANT DESIGN
PLUMBING WORKS
STRUCTURAL DESIGN
ENGINEERING DESIGN AND REVIEW
EQUIPMENT AND MATERIAL SELECTION
ELECTRICAL DESIGN & CALCULATIONS

DESIGN ENGINEER:			
ENGINEER'S NAME			
PTR NO.:	-	PRC NO.:	-
DATE ISSUED:	-	DATE EXPIRY:	-
PLACE ISSUED:	-	PLACE ISSUED:	-

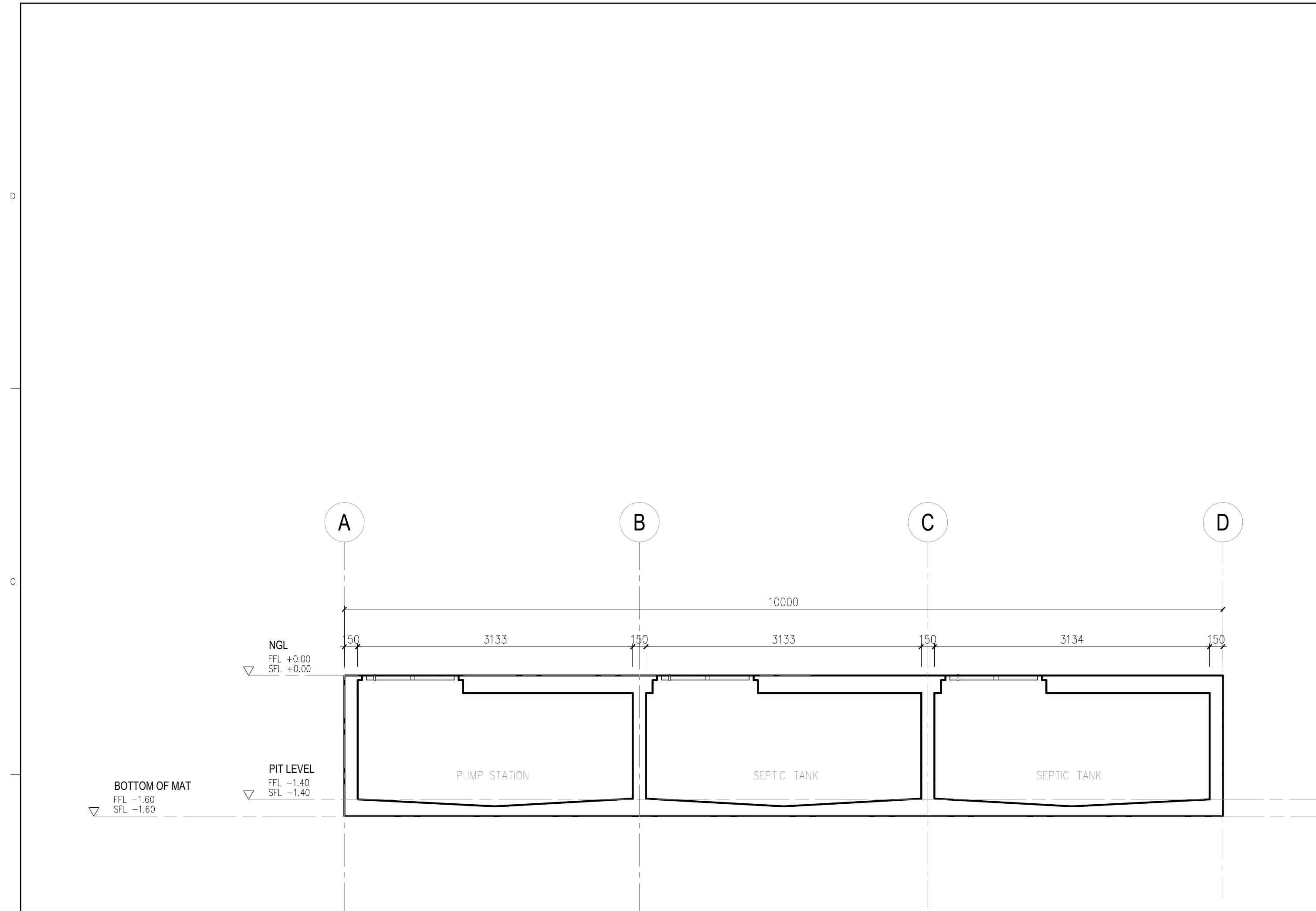
PROJECT:	JHMC WASTE WATER TREATMENT PLANT
ADDRESS:	MINDORO

CLIENT:	CLIENT'S NAME
---------	---------------

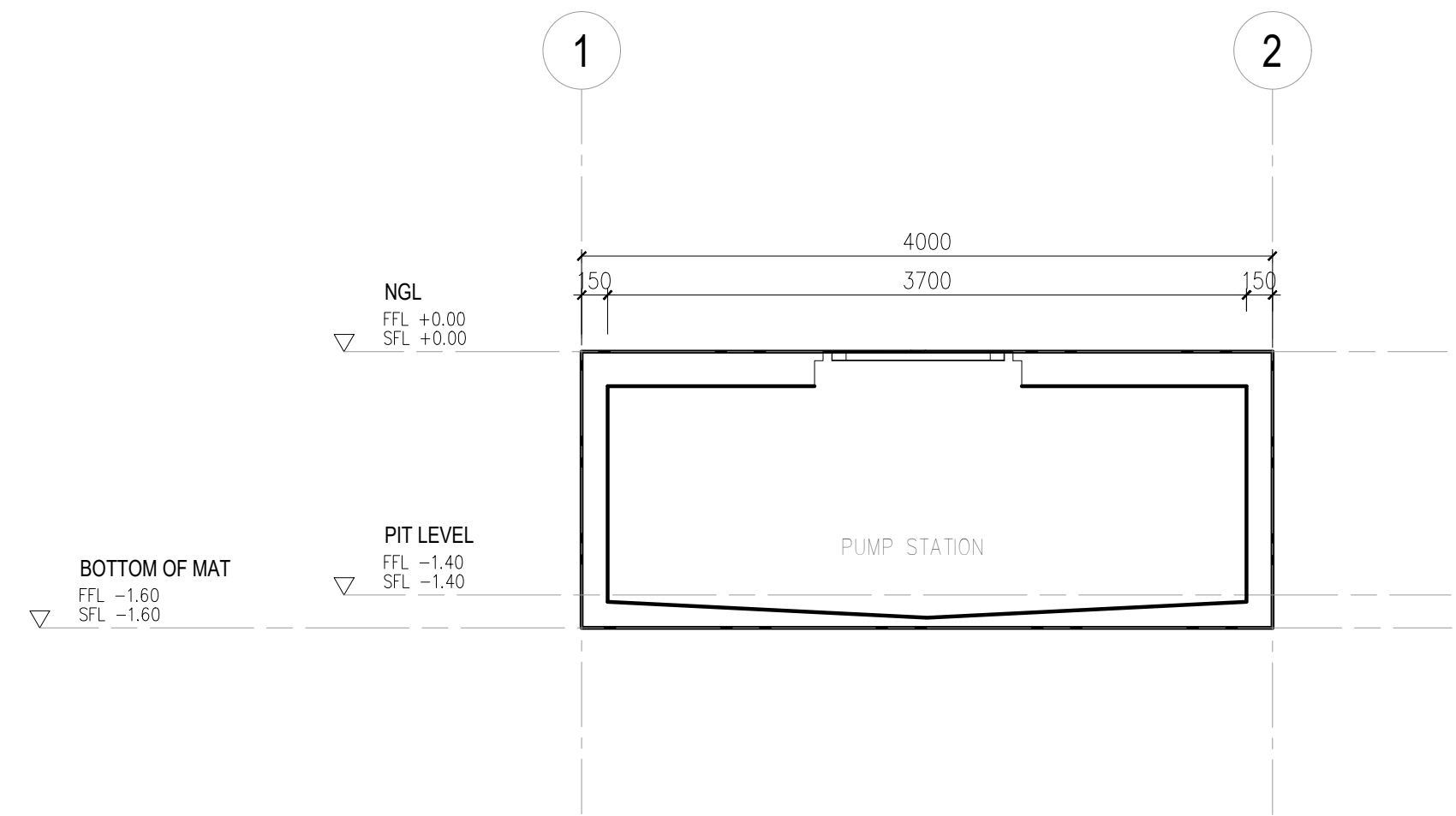
REVISIONS:		
NO.	DESCRIPTION	DATE
0	ORIGINAL ISSUE	-
1.1		-
1.2		-
1		-

CONTRACT NO.:	WW-22-JHMC-DC-05	STAGE:	DETAILED DESIGN
SHEET CONTENTS:			SHEET NO.
SEPTIC TANK MANHOLE LAYOUT			CONVEYANCE 05 06
SCALE	-	DATE	

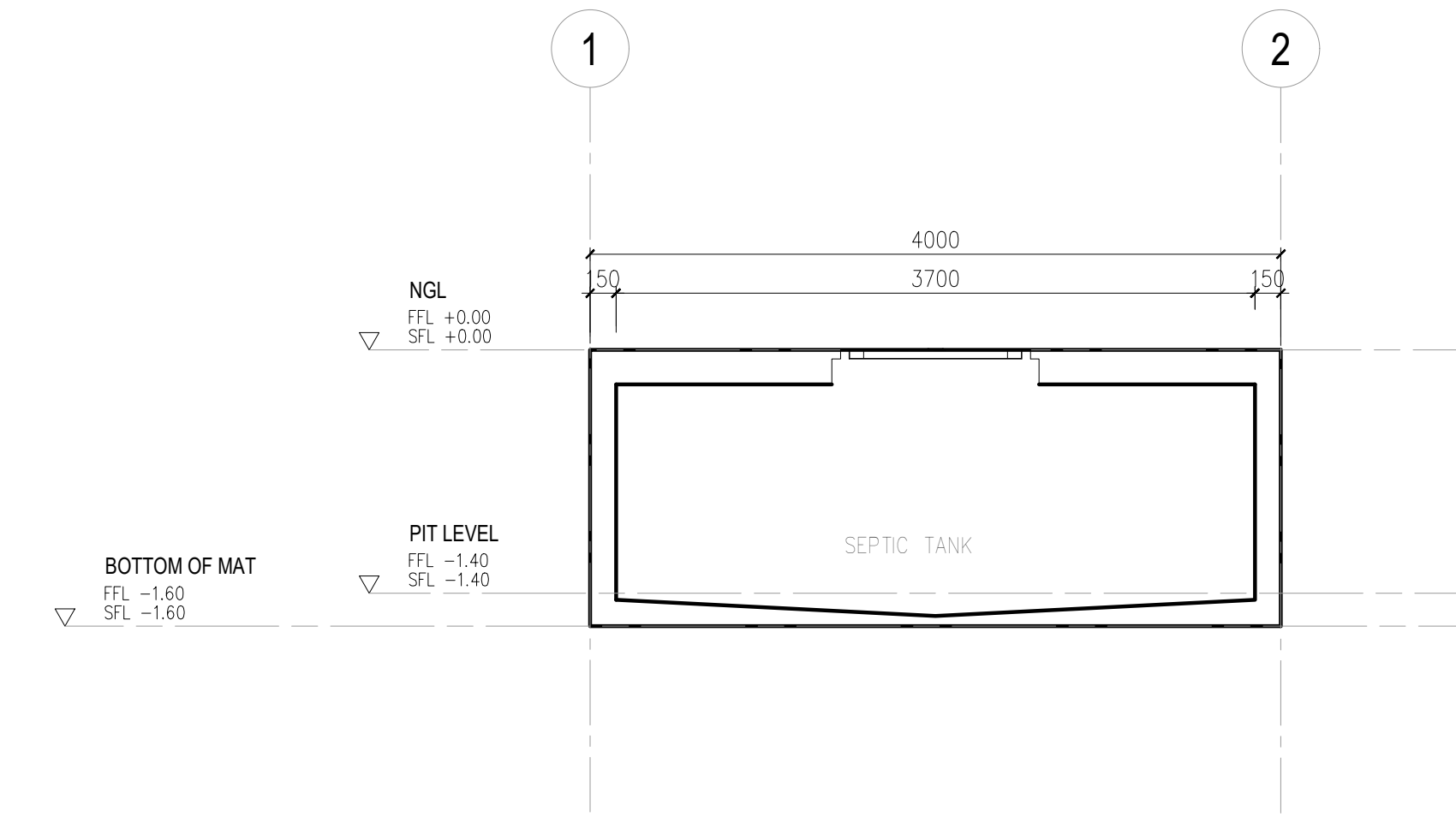
DRAWINGS AND SPECIFICATIONS DULY SIGNED ARE INTELLECTUAL PROPERTIES AND DOCUMENTS OF ANTHROSERV. WHETHER THE OBJECT FOR WHICH THEY ARE MADE IS EXECUTED OR NOT, NO PART OF THIS DRAWING SHALL BE COPIED OR REPRODUCED (EITHER IN PART OR IN WHOLE) UNLESS OTHERWISE WITH THE CONSENT & APPROVAL OF THE UNDERSIGNED DESIGNER.




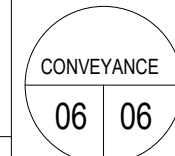
1 ELEVATION VIEW
C-9 PLAN SCALE 1:50



2 SECTION 'A' VIEW
C-10 PLAN SCALE 1:50



3 SECTION 'B' VIEW
C-11 PLAN SCALE 1:50

 <p>UNIT 307, ECG BUILDING, GENERAL AVENUE TANDANG SORA, QUEZON CITY 1116 MM</p> <p>SERVICES OFFERED: PLANT DESIGN PLUMBING WORKS STRUCTURAL DESIGN ENGINEERING DESIGN AND REVIEW EQUIPMENT AND MATERIAL SELECTION ELECTRICAL DESIGN & CALCULATIONS</p>	DESIGN ENGINEER:				PROJECT:				CLIENT:				REVISIONS:				CONTRACT NO.: WW-22-JHMC-DC-05		STAGE: DETAILED DESIGN		SHEET NO.:															
	ENGINEER'S NAME								JHMC WASTE WATER TREATMENT PLANT																											
	PTR NO.:		-		PRC NO.:		-		ADDRESS:																											
	DATE ISSUED:		-		DATE EXPIRY:		-		MINDORO				CLIENT'S NAME																							
	PLACE ISSUED:		-		PLACE ISSUED:		-																													
												<table border="1"> <thead> <tr> <th>NO.</th> <th>DESCRIPTION</th> <th>DATE</th> </tr> </thead> <tbody> <tr> <td>0</td> <td>ORIGINAL ISSUE</td> <td>-</td> </tr> <tr> <td>1.1</td> <td></td> <td>-</td> </tr> <tr> <td>1.2</td> <td></td> <td>-</td> </tr> <tr> <td>1</td> <td></td> <td>-</td> </tr> </tbody> </table>				NO.	DESCRIPTION	DATE	0	ORIGINAL ISSUE	-	1.1		-	1.2		-	1		-	SHEET CONTENTS: SEPTIC TANK ELEVATION		SCALE - DATE		 06 06	
NO.	DESCRIPTION	DATE																																		
0	ORIGINAL ISSUE	-																																		
1.1		-																																		
1.2		-																																		
1		-																																		

DRAWINGS AND SPECIFICATIONS DULY SIGNED ARE INTELLECTUAL PROPERTIES AND DOCUMENTS OF ANTHROSERVI. WHETHER THE OBJECT FOR WHICH THEY ARE MADE IS EXECUTED OR NOT, NO PART OF THIS DRAWING SHALL BE COPIED OR REPRODUCED (EITHER IN PART OR IN WHOLE) UNLESS OTHERWISE WITH THE CONSENT & APPROVAL OF THE UNDERSIGNED DESIGNER.