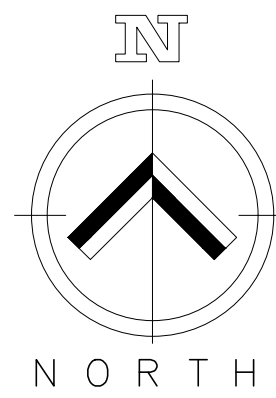
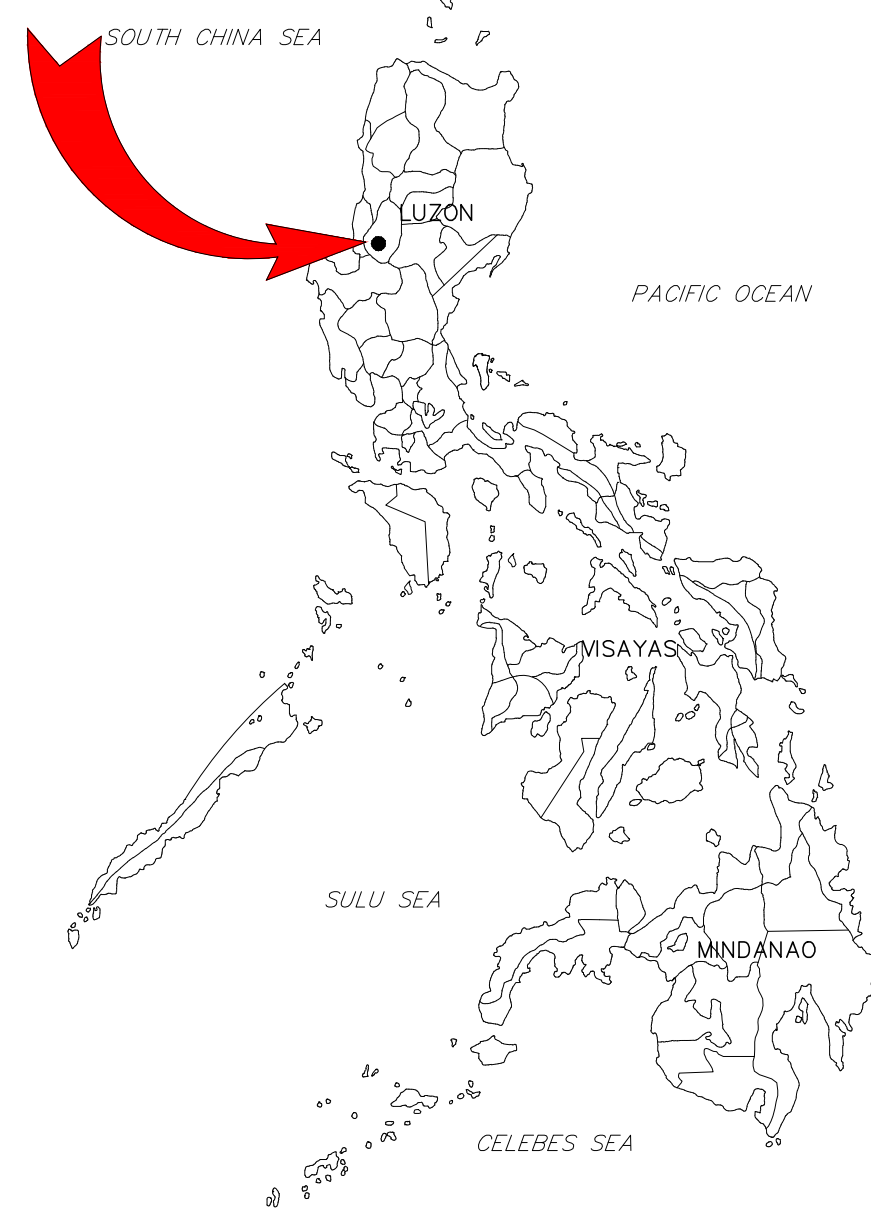
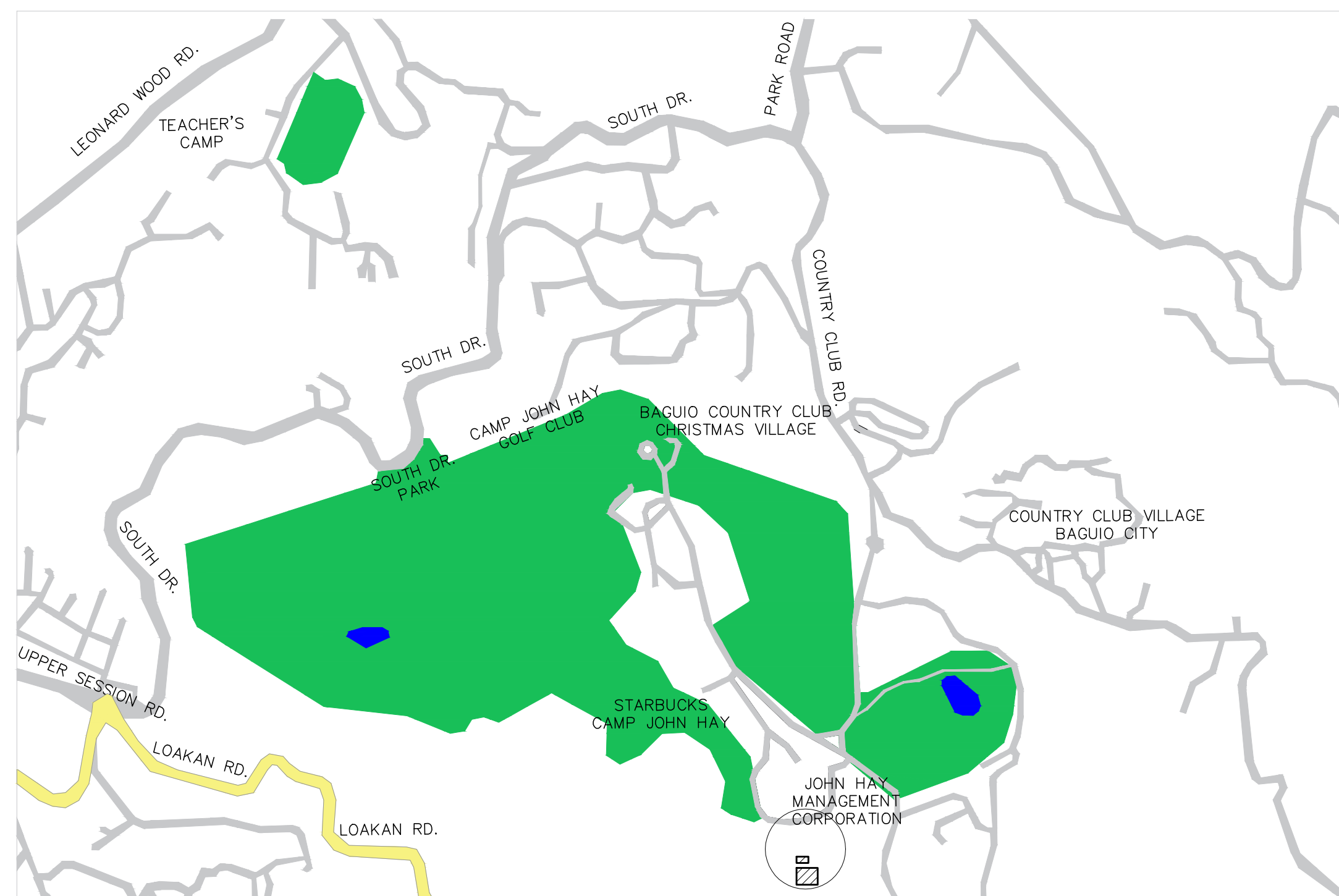


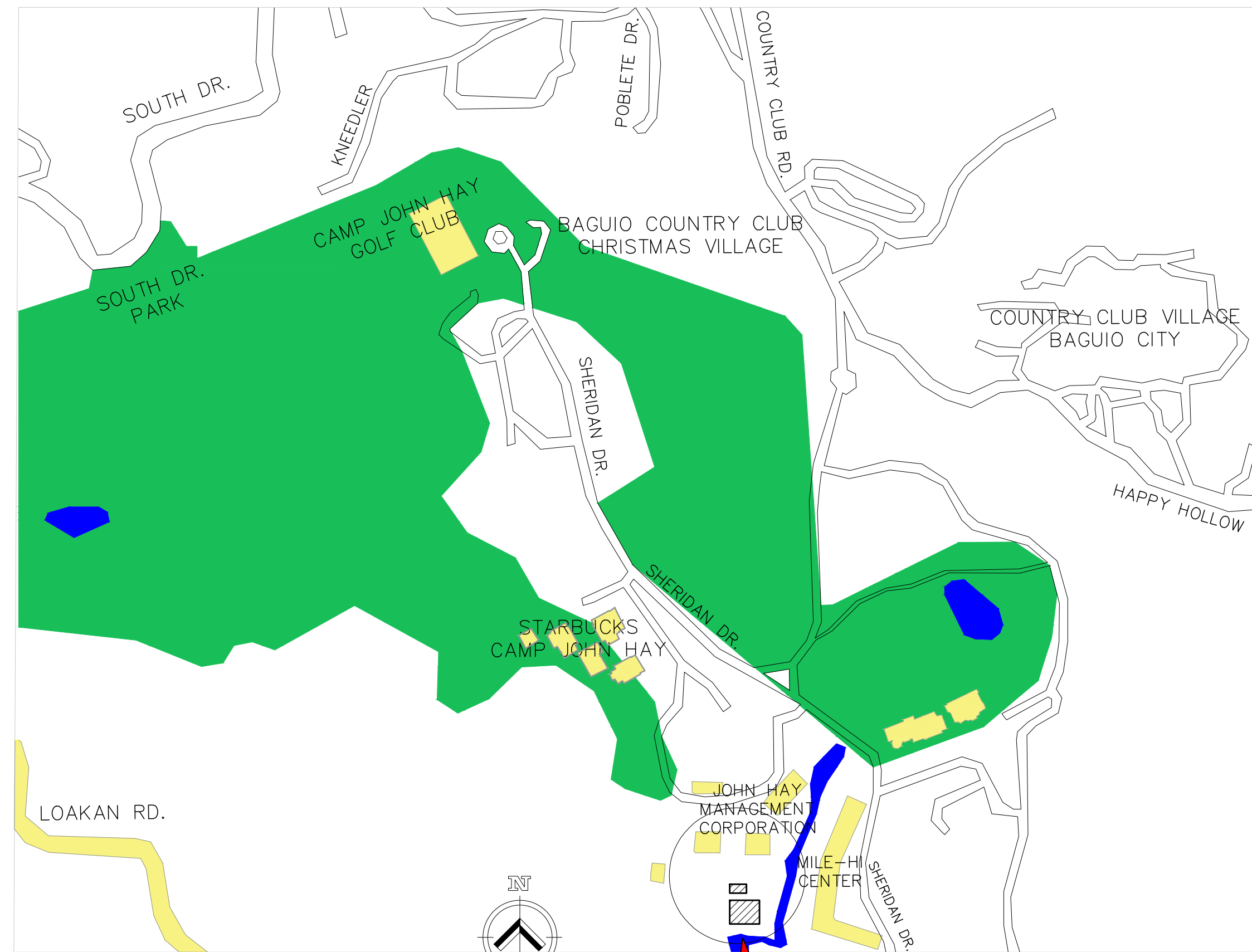
THIS **SITE**



**1 PHILIPPINE MAP**  
A-01 PLAN NOT TO SCALE



**2 VICINITY MAP**  
A-01 PLAN NOT TO SCALE



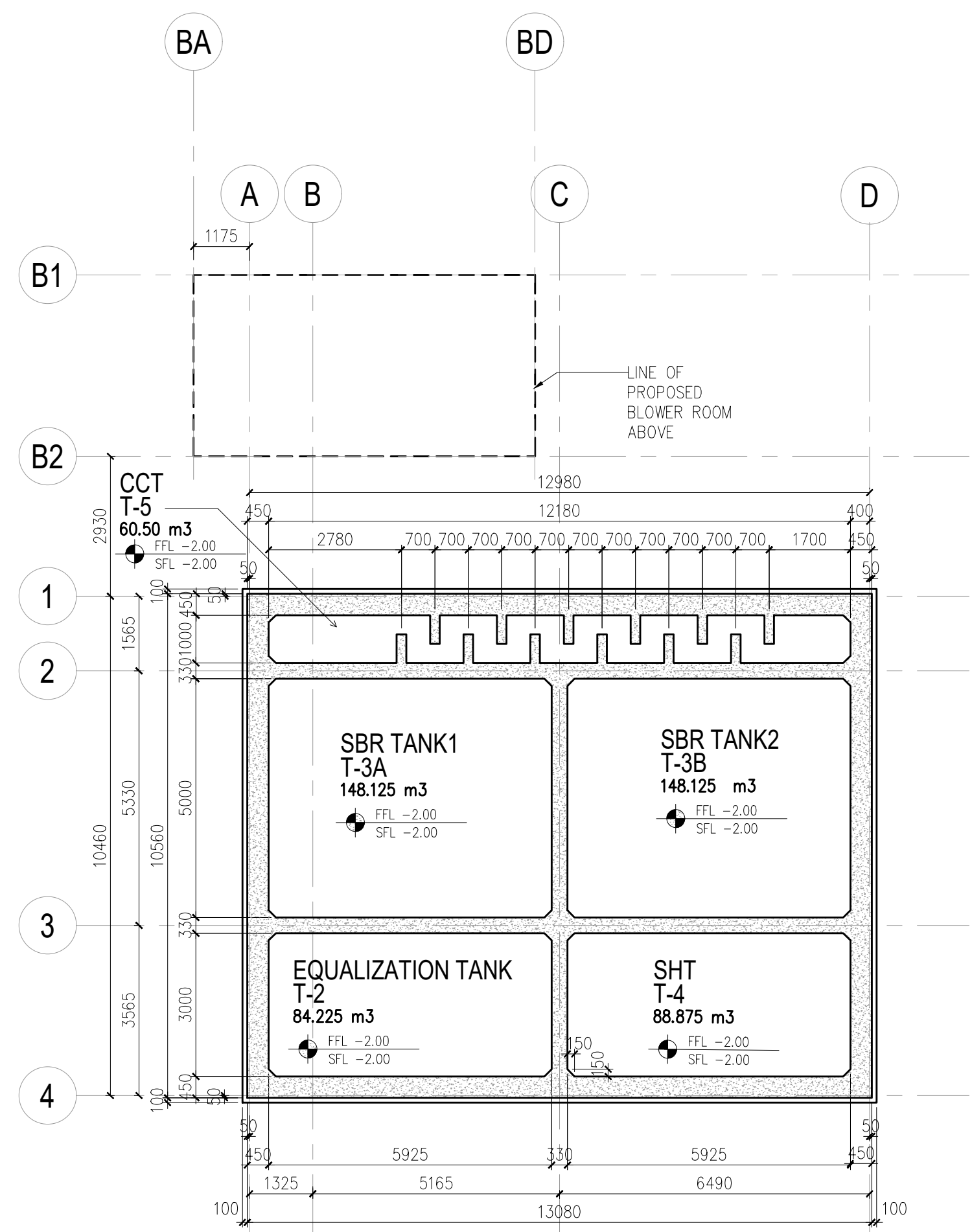
**THE SITE**  
ANTHROSERV-JHMC PROJECT  
Wastewater Treatment Plant  
John Hay Special Economic Zone  
Baguio City, 2600

**3 LOCATION MAP**  
A-01 PLAN NOT TO SCALE

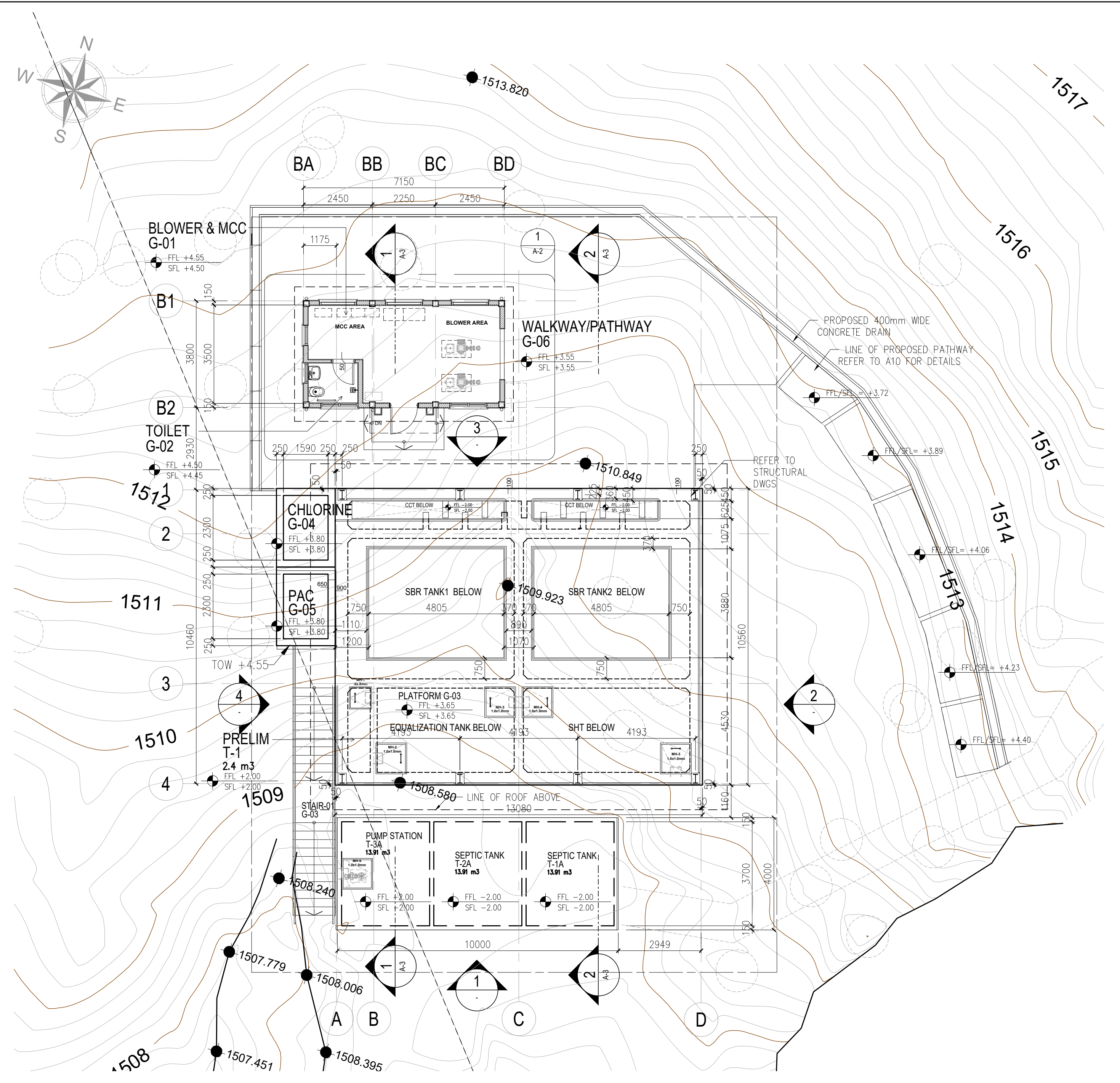
<p>UNIT 307, EGO BUILDING, GENERAL AVENUE TANDANG SORA, QUEZON CITY 1116 MM</p> <p>SERVICES OFFERED: PLUMBING WORKS STRUCTURAL DESIGN ENGINEERING DESIGN AND REVIEW EQUIPMENT AND MATERIAL SELECTION ELECTRICAL DESIGN &amp; CALCULATIONS</p>	DESIGN ENGINEER:	PROJECT:	CLIENT:	REVISIONS:	CONTRACT NO.:	STAGE:	CONCEPT DESIGN
	ENGINEER'S NAME		JHMC WASTE WATER TREATMENT PLANT	JOHN HAY MANAGEMENT CORPORATION	NO. DESCRIPTION	DATE	SHEET CONTENTS:
	PTR NO.:	PRC NO.:	ADDRESS:	0 ORIGINAL ISSUE	-	VICINITY MAP	SHEET NO.
	DATE ISSUED:	VALID UNTIL:	CAMP JOHN HAY, BAGUIO	1.1	-	LOCATION MAP	ARCHITECTURAL
PLACE ISSUED:	PLACE ISSUED:		CLIENT'S NAME	1.2	-	SCALE	NTS DATE
				1	-	03/24/2023	A01 03

DRAWINGS AND SPECIFICATIONS DULY SIGNED ARE INTELLECTUAL PROPERTIES AND DOCUMENTS OF ANTHROSERV, WHETHER THE OBJECT FOR WHICH THEY ARE MADE IS EXECUTED OR NOT. NO PART OF THIS DRAWING SHALL BE COPIED OR REPRODUCED (EITHER IN PART OR IN WHOLE) UNLESS OTHERWISE WITH THE CONSENT & APPROVAL OF THE UNDERSIGNED DESIGNER.





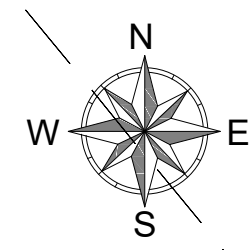
1 PIT LEVEL PLAN  
SCALE SCALE 1:100



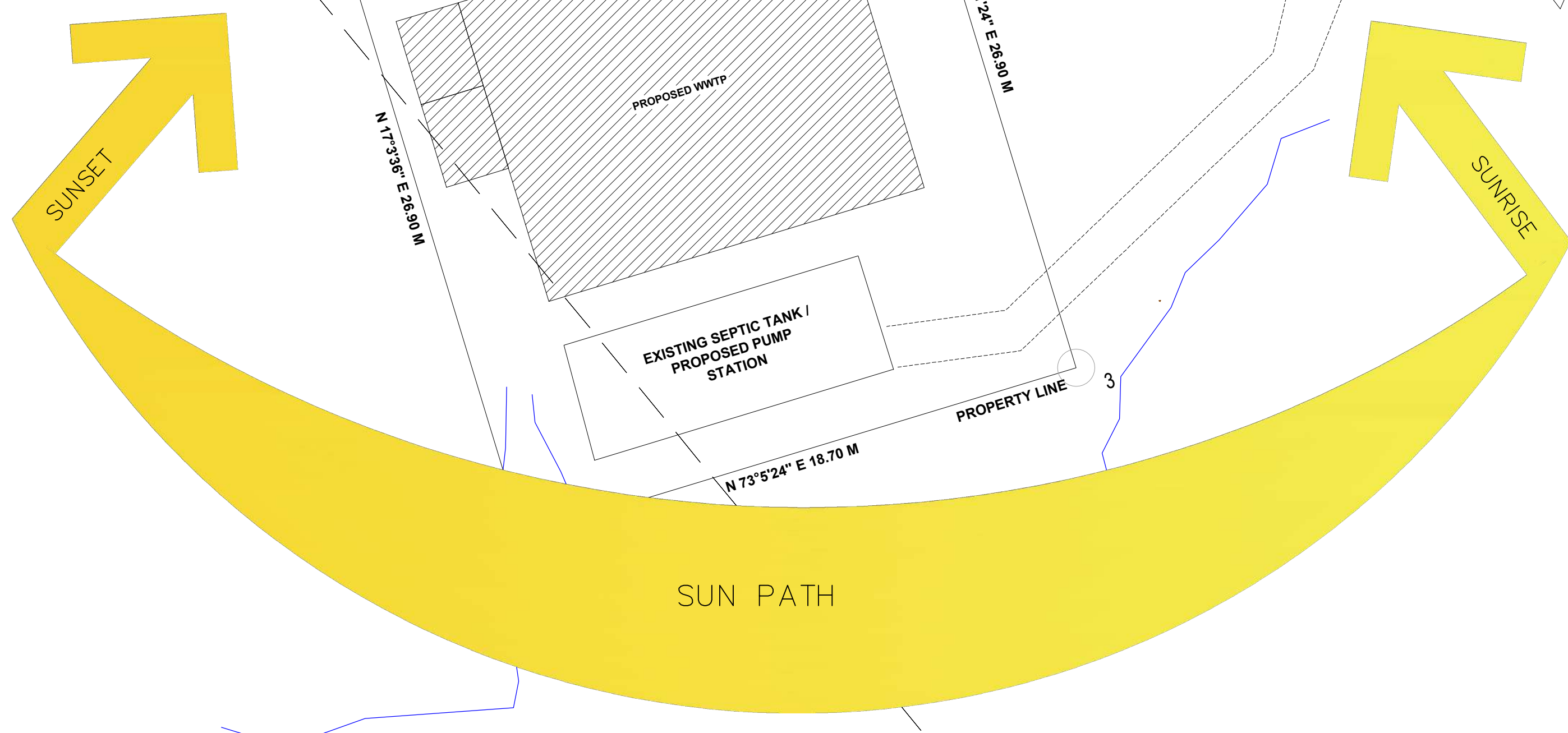
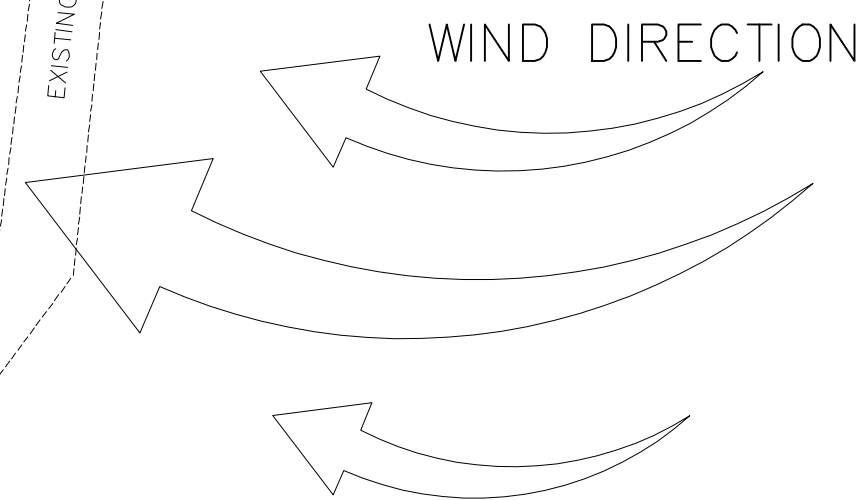
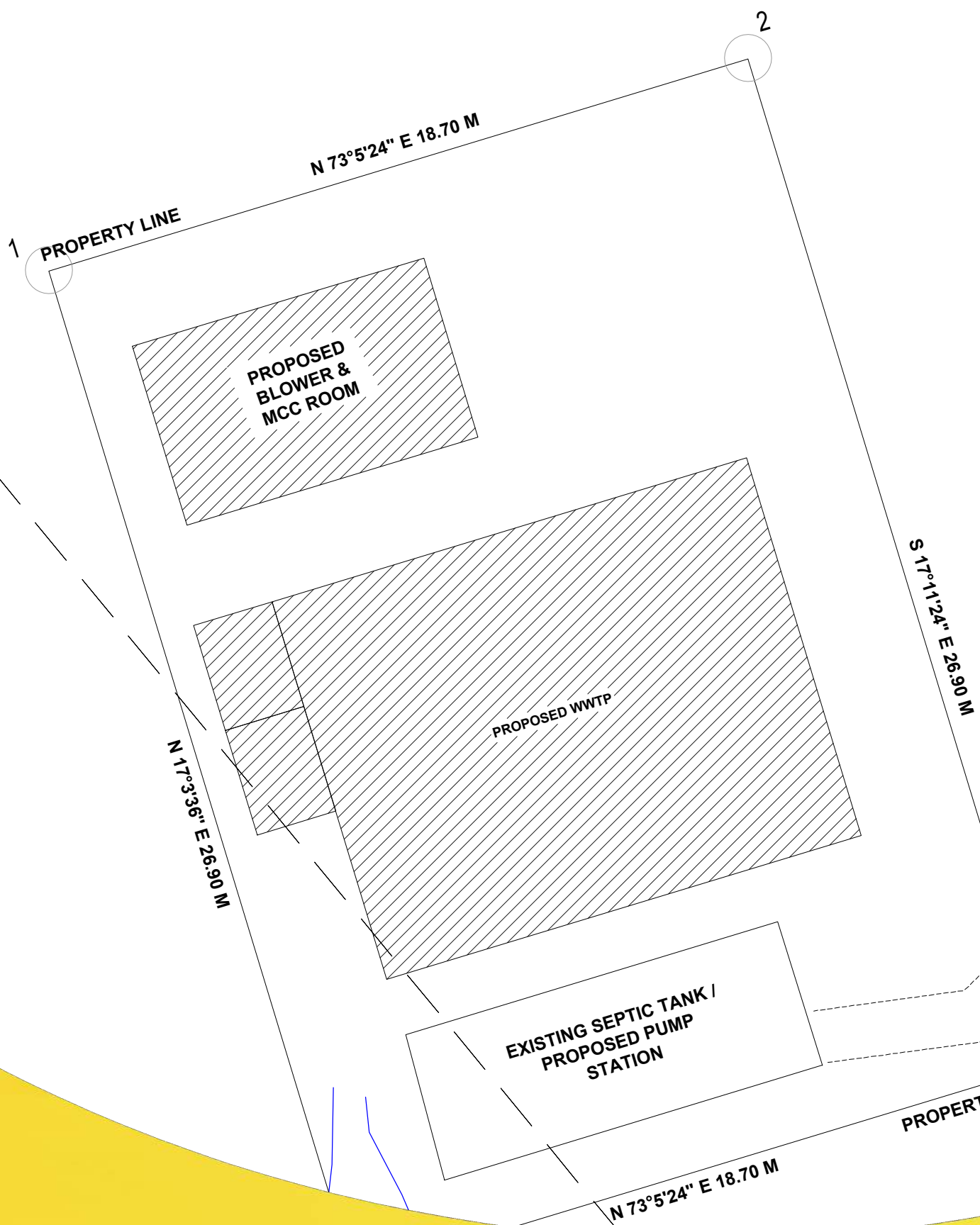
2 GROUND FLOOR PLAN  
SCALE SCALE 1:100

<p>UNIT 307, ECG BUILDING, GENERAL AVENUE TANDANG SORA, QUEZON CITY 1116 MM</p> <p>SERVICES OFFERED: PLANT DESIGN PLUMBING WORKS STRUCTURAL DESIGN ENGINEERING DESIGN AND REVIEW EQUIPMENT AND MATERIAL SELECTION ELECTRICAL DESIGN &amp; CALCULATIONS</p>	DESIGN ENGINEER:	PROJECT:	CLIENT:	REVISIONS:	CONTRACT NO.:	STAGE:	CONCEPT DESIGN	
	ENGINEER'S NAME	JHMC WASTE WATER TREATMENT PLANT	JOHN HAY MANAGEMENT CORPORATION	NO. DESCRIPTION DATE	WW-22-JHMC-DC-08		SHEET NO.	
	PTR NO.: DATE ISSUED: PLACE ISSUED:	PRC NO.: VALID UNTIL: PLACE ISSUED:	ADDRESS: CAMP JOHN HAY, BAGUIO	CLIENT'S NAME	0 ORIGINAL ISSUE 1.1 1.2 1			SHEET CONTENTS: PLANT LAYOUT - PIT LEVEL PLAN AND GROUND FLOOR PLAN ARCHITECTURAL 01 10
						SCALE 1:100	DATE 04/23/2023	

DRAWINGS AND SPECIFICATIONS DULY SIGNED ARE INTELLECTUAL PROPERTIES AND DOCUMENTS OF ANTHROSERV, WHETHER THE OBJECT FOR WHICH THEY ARE MADE IS EXECUTED OR NOT. NO PART OF THIS DRAWING SHALL BE COPIED OR REPRODUCED (EITHER IN PART OR IN WHOLE) UNLESS OTHERWISE WITH THE CONSENT & APPROVAL OF THE UNDERSIGNED DESIGNER.



LOT 6, CCS 131102-000030  
BOUNDARY LINE



LEGEND:

	EXISTING ROAD
	NEW ROAD
	PROPOSED WWTP

**1** SITE ANALYSIS PLAN  
A-02 PLAN NOT TO SCALE



UNIT 307, EGO BUILDING, GENERAL AVENUE  
TANDANG SORA, QUEZON CITY 1116 MM  
SERVICES OFFERED:  
PLUMBING DESIGN  
PLUMBING WORKS  
STRUCTURAL DESIGN  
ENGINEERING DESIGN AND REVIEW  
EQUIPMENT AND MATERIAL SELECTION  
ELECTRICAL DESIGN & CALCULATIONS

DESIGN ENGINEER:		PROJECT:	
ENGINEER'S NAME		JHMC WASTE WATER TREATMENT PLANT	
PTR NO.:	PRC NO.:	ADDRESS:	CLIENT:
DATE ISSUED:	VALID UNTIL:	CAMP JOHN HAY, BAGUIO	JOHN HAY MANAGEMENT CORPORATION
PLACE ISSUED:	PLACE ISSUED:	CLIENT'S NAME	

REVISIONS:	
NO.	DESCRIPTION
0	ORIGINAL ISSUE
1.1	
1.2	
1	

CONTRACT NO.:	WW-22-JHMC-DC-05	STAGE:	CONCEPT DESIGN
SHEET CONTENTS:		SHEET NO.	
SITE ANALYSIS PLAN		ARCHITECTURAL	
SCALE		NTS	DATE
			03/24/2023

SHEET NO.	
A02 03	

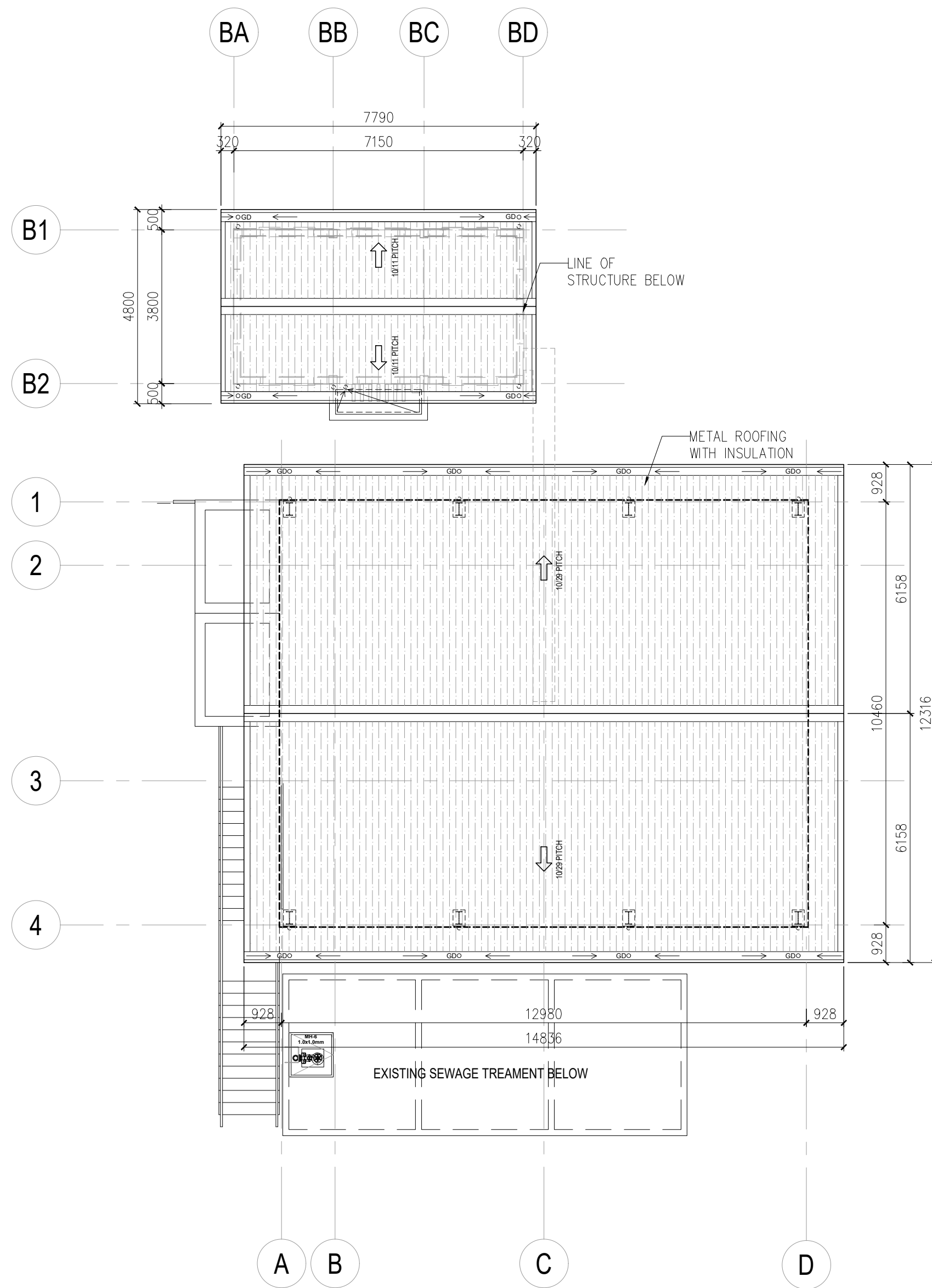
DRAWINGS AND SPECIFICATIONS DULY SIGNED ARE INTELLECTUAL PROPERTIES AND DOCUMENTS OF ANTHROSERV, WHETHER THE OBJECT FOR WHICH THEY ARE MADE IS EXECUTED OR NOT. NO PART OF THIS DRAWING SHALL BE COPIED OR REPRODUCED (EITHER IN PART OR IN WHOLE) UNLESS OTHERWISE WITH THE CONSENT & APPROVAL OF THE UNDERSIGNED DESIGNER.



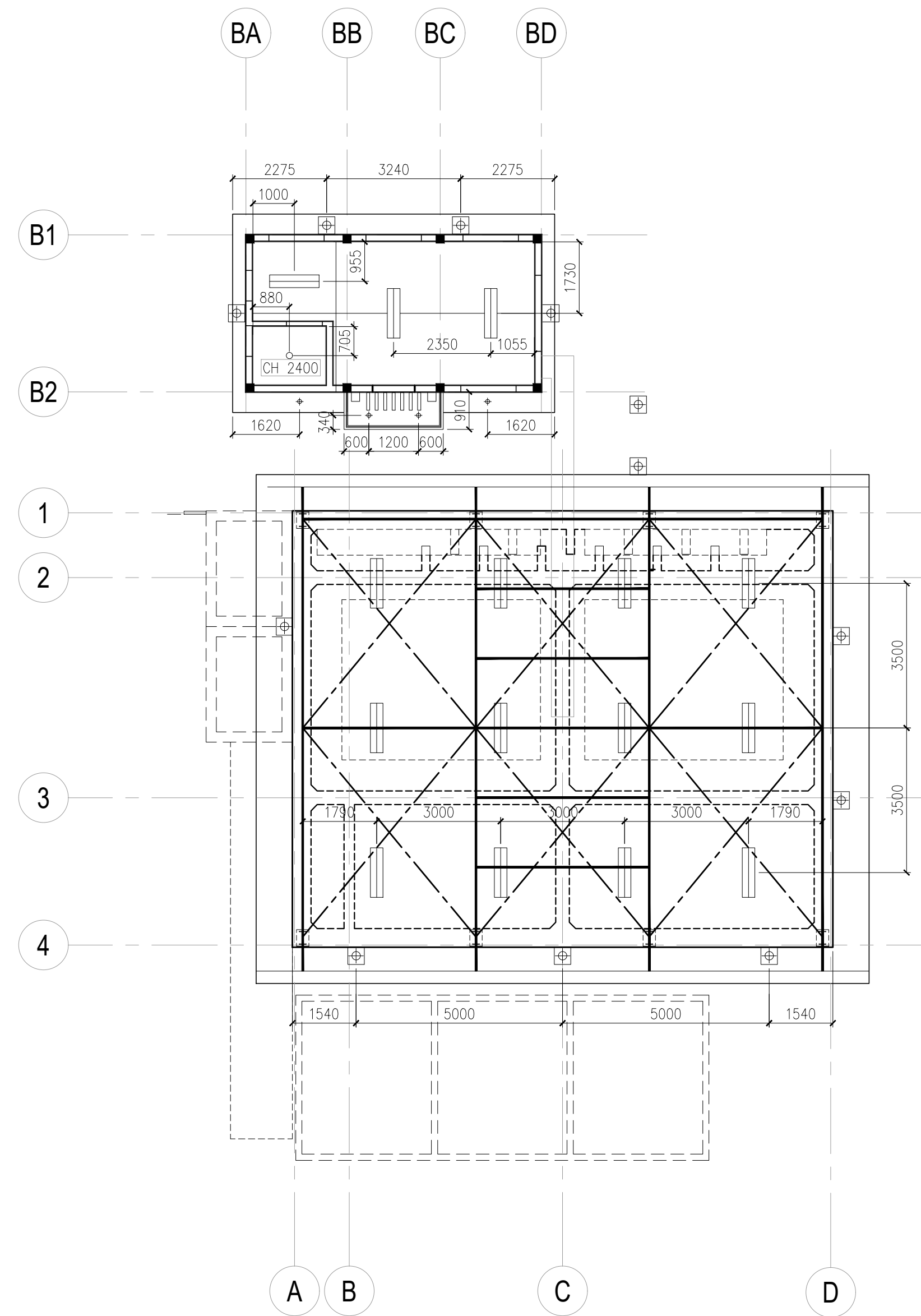
**FIXTURES LEGEND :**

	LED LAMP IN VANDAL-PROOF INDUSTRIAL-TYPE LIGHTING FIXTURE
	LED LIGHTS
	PIN LIGHTS
	PERIMETER FLOOD LIGHT

NOTE: REFER TO ELECTRICAL DRAWINGS FOR COMPLETE DESIGN INTENT.



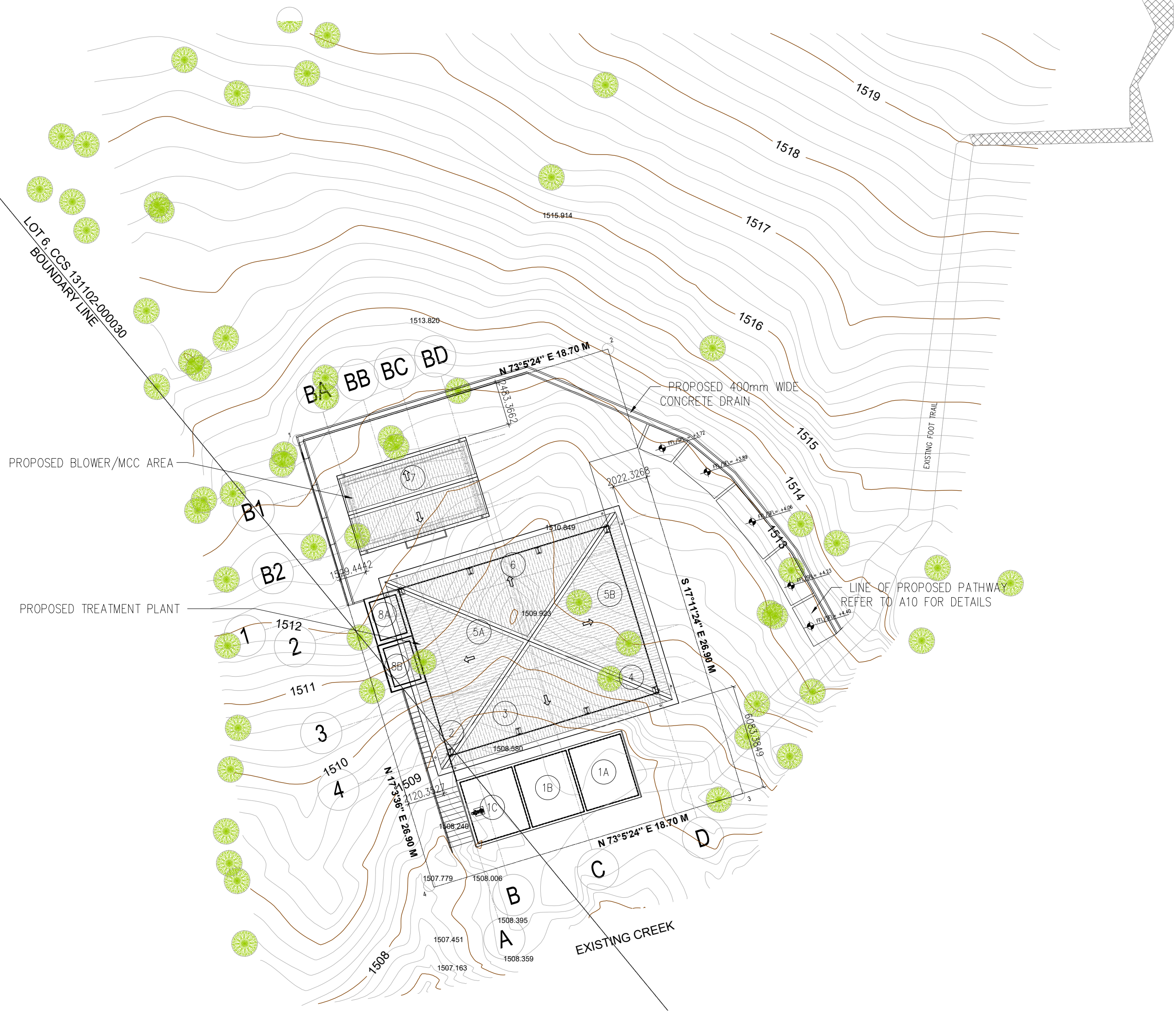
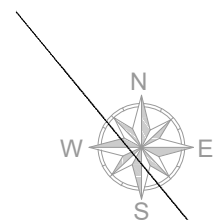
**1 ROOF PLAN**  
SCALE 1:100



**2 REFLECTED CEILING PLAN**  
SCALE 1:100

<p>UNIT 307, ECG BUILDING, GENERAL AVENUE TANDANG SORA, QUEZON CITY 1116 MM</p> <p>SERVICES OFFERED: PLANT DESIGN PLUMBING WORKS STRUCTURAL DESIGN ENGINEERING DESIGN AND REVIEW EQUIPMENT AND MATERIAL SELECTION ELECTRICAL DESIGN &amp; CALCULATIONS</p>	<p>DESIGN ENGINEER:</p> <p><b>ENGINEER'S NAME</b></p>	<p>PROJECT:</p> <p><b>JHMC WASTE WATER TREATMENT PLANT</b></p>	<p>CLIENT:</p> <p><b>JOHN HAY MANAGEMENT CORPORATION</b></p>	<p>REVISIONS:</p> <table border="1"> <thead> <tr> <th>NO.</th> <th>DESCRIPTION</th> <th>DATE</th> </tr> </thead> <tbody> <tr> <td>0</td> <td>ORIGINAL ISSUE</td> <td>-</td> </tr> <tr> <td>1.1</td> <td></td> <td>-</td> </tr> <tr> <td>1.2</td> <td></td> <td>-</td> </tr> <tr> <td>1</td> <td></td> <td>-</td> </tr> </tbody> </table>	NO.	DESCRIPTION	DATE	0	ORIGINAL ISSUE	-	1.1		-	1.2		-	1		-	<p>CONTRACT NO.: <b>WW-22-JHMC-DC-08</b> STAGE: <b>CONCEPT DESIGN</b></p>
	NO.	DESCRIPTION	DATE																	
0	ORIGINAL ISSUE	-																		
1.1		-																		
1.2		-																		
1		-																		
<table border="1"> <tr> <td>PTR NO.:</td> <td>PRC NO.:</td> </tr> <tr> <td>DATE ISSUED:</td> <td>VALID UNTIL:</td> </tr> <tr> <td>PLACE ISSUED:</td> <td>PLACE ISSUED:</td> </tr> </table>	PTR NO.:	PRC NO.:	DATE ISSUED:	VALID UNTIL:	PLACE ISSUED:	PLACE ISSUED:	<p>ADDRESS:</p> <p><b>CAMP JOHN HAY, BAGUIO</b></p>	<p>CLIENT'S NAME</p>	<p>SHEET CONTENTS:</p> <p><b>PLANT LAYOUT - ROOF PLAN AND REFLECTED CEILING PLAN</b></p>	<p>SCALE: <b>1:100</b> DATE: <b>03/24/2023</b></p>										
PTR NO.:	PRC NO.:																			
DATE ISSUED:	VALID UNTIL:																			
PLACE ISSUED:	PLACE ISSUED:																			

DRAWINGS AND SPECIFICATIONS DULY SIGNED ARE INTELLECTUAL PROPERTIES AND DOCUMENTS OF ANTHROSERV, WHETHER THE OBJECT FOR WHICH THEY ARE MADE IS EXECUTED OR NOT. NO PART OF THIS DRAWING SHALL BE COPIED OR REPRODUCED (EITHER IN PART OR IN WHOLE) UNLESS OTHERWISE WITH THE CONSENT & APPROVAL OF THE UNDERSIGNED DESIGNER.



1 SITE DEVELOPMENT PLAN  
SCALE 1:200

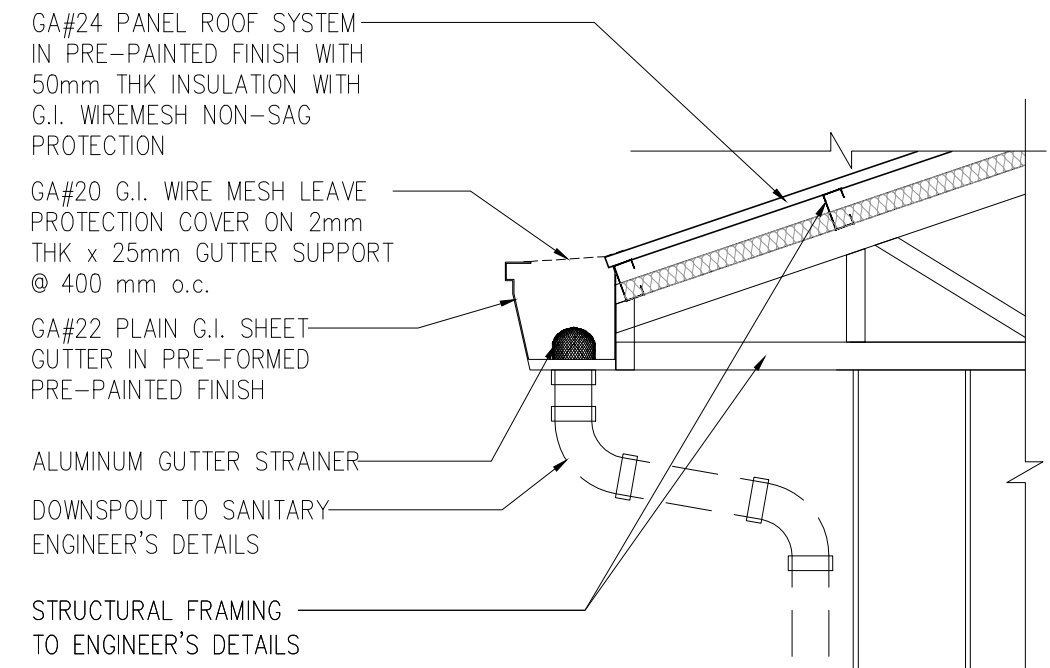
LIST OF STRUCTURES					
MCC CONSTRUCTION SEQUENCE	S.NO.	NAME OF STRUCTURE	QUANTITY	SIZE	
BUILDING					
A1	7	MCC AND BLOWER ROOM	1	7.15M LONG X 3.5M WIDE	
	8A	CCT BUND WALL	1	1.6M LONG X 2.3M WIDE	
	8B	PAC BUND WALL	1	1.6M LONG X 2.3M WIDE	
	TANKS				
	1A,1B,1C	TANK 1A: SEPTIC TANK 1ST CHAMBER TANK 1B: SEPTIC TANK 2ND CHAMBER TANK 1C: PUMP STATION(SEPTIC TANK 3RD CHAMBER)	1,1,1	3.13M LONG X 3.7M WIDE X 1M SWD +0.3M FB; 3.13M LONG X 3.7M WIDE X 1M SWD +0.3M FB; 3.13M LONG X 3.7M WIDE X 1M SWD +0.3M FB;	
	2	TANK 2: PRELIMINARY CHAMBER	1	800MM LONG X 3M WIDE X 1M SWD +0.3M FB	
	3	TANK 3: EQUALIZATION TANK	1	4.875M LONG X 3M WIDE X 5M SWD +0.3M FB	
	4	TANK 4: SLUDGE HOLDING TANK	1	5.925M LONG X 3M WIDE X 5M SWD +0.3M FB	
	5A	TANK 5A: SBR TANK 1	1	5.925M LONG X 5M WIDE X 5M SWD + 0.3M FB	
	5B	TANK 5B: SBR TANK 2	1	5.925M LONG X 5M WIDE X 5M SWD + 0.3M FB	
6	TANK 6: CCT TANK	1	12.1M LONG X 1M WIDE X 5M SWD + 0.3M FB		

	UNIT 307, EGO BUILDING, GENERAL AVENUE TANDANG SORA, QUEZON CITY 1116 MM SERVICES OFFERED: PLANT DESIGN PLUMBING WORKS STRUCTURAL DESIGN ENGINEERING DESIGN AND REVIEW EQUIPMENT AND MATERIAL SELECTION ELECTRICAL DESIGN & CALCULATIONS	<b>DESIGN ENGINEER:</b> _____ <b>ENGINEER'S NAME</b>	<b>PROJECT:</b> JHMC WASTE WATER TREATMENT PLANT	<b>CLIENT:</b> JOHN HAY MANAGEMENT CORPORATION	<b>REVISIONS:</b> <table border="1" style="width: 100%;"> <thead> <tr> <th>NO.</th> <th>DESCRIPTION</th> <th>DATE</th> </tr> </thead> <tbody> <tr> <td>0</td> <td>ORIGINAL ISSUE</td> <td>-</td> </tr> <tr> <td>1.1</td> <td></td> <td>-</td> </tr> <tr> <td>1.2</td> <td></td> <td>-</td> </tr> <tr> <td>1</td> <td></td> <td>-</td> </tr> </tbody> </table>	NO.	DESCRIPTION	DATE	0	ORIGINAL ISSUE	-	1.1		-	1.2		-	1		-	<b>CONTRACT NO.:</b> WW-22-JHMC-DC-05 <b>STAGE:</b> CONCEPT DESIGN
	NO.	DESCRIPTION	DATE																		
0	ORIGINAL ISSUE	-																			
1.1		-																			
1.2		-																			
1		-																			
<b>PLACE ISSUED:</b> _____ <b>PLACE ISSUED:</b> _____		<b>ADDRESS:</b> CAMP JOHN HAY, BAGUIO		<b>CLIENT'S NAME</b> _____		<b>SHEET CONTENTS:</b> SITE DEVELOPMENT PLAN															

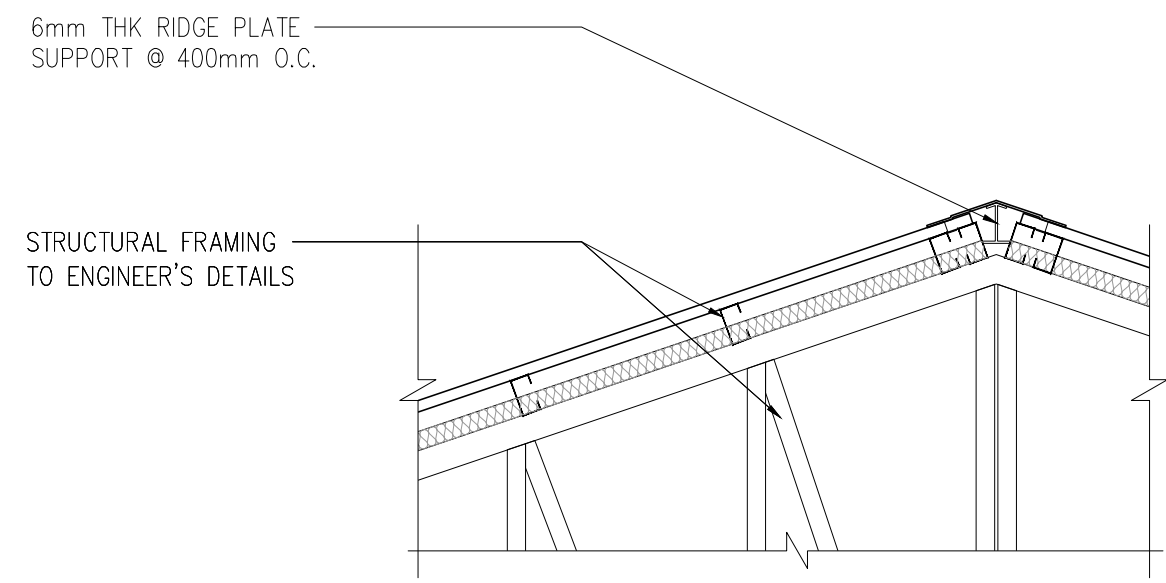


DRAWINGS AND SPECIFICATIONS DULY SIGNED ARE INTELLECTUAL PROPERTIES AND DOCUMENTS OF ANTHROSERV. WHETHER THE OBJECT FOR WHICH THEY ARE MADE IS EXECUTED OR NOT. NO PART OF THIS DRAWING SHALL BE COPIED OR REPRODUCED (EITHER IN PART OR IN WHOLE) UNLESS OTHERWISE WITH THE CONSENT & APPROVAL OF THE UNDERSIGNED DESIGNER.

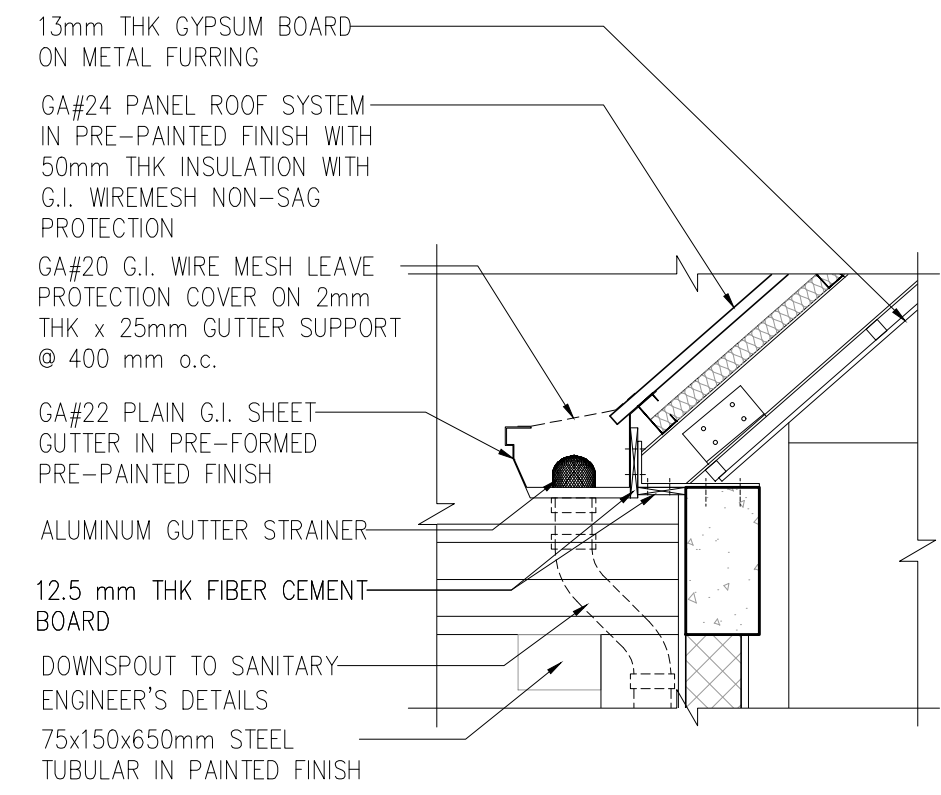




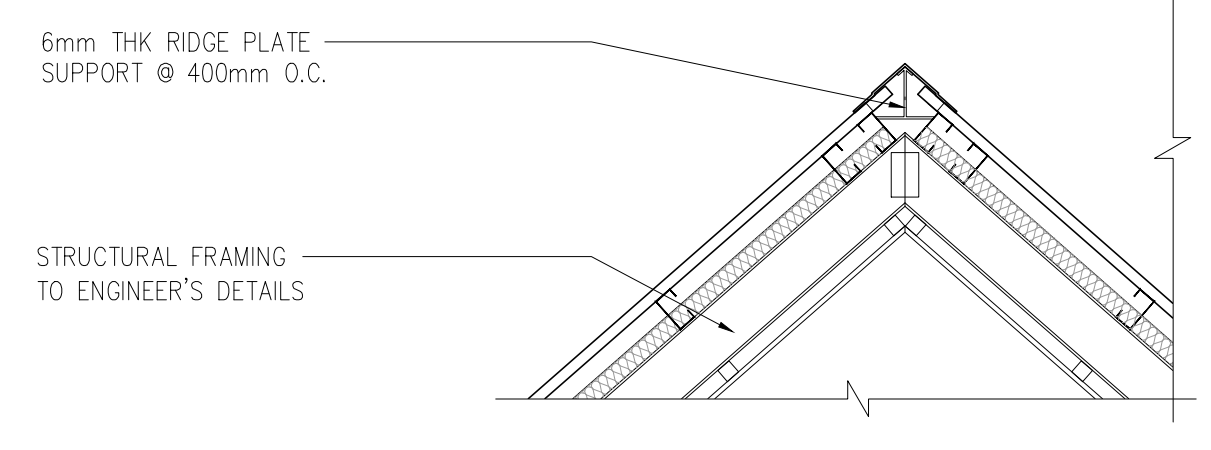
**3 ROOF DETAIL 1**  
DETAIL SCALE 1:20



**4 ROOF DETAIL 2**  
DETAIL SCALE 1:20

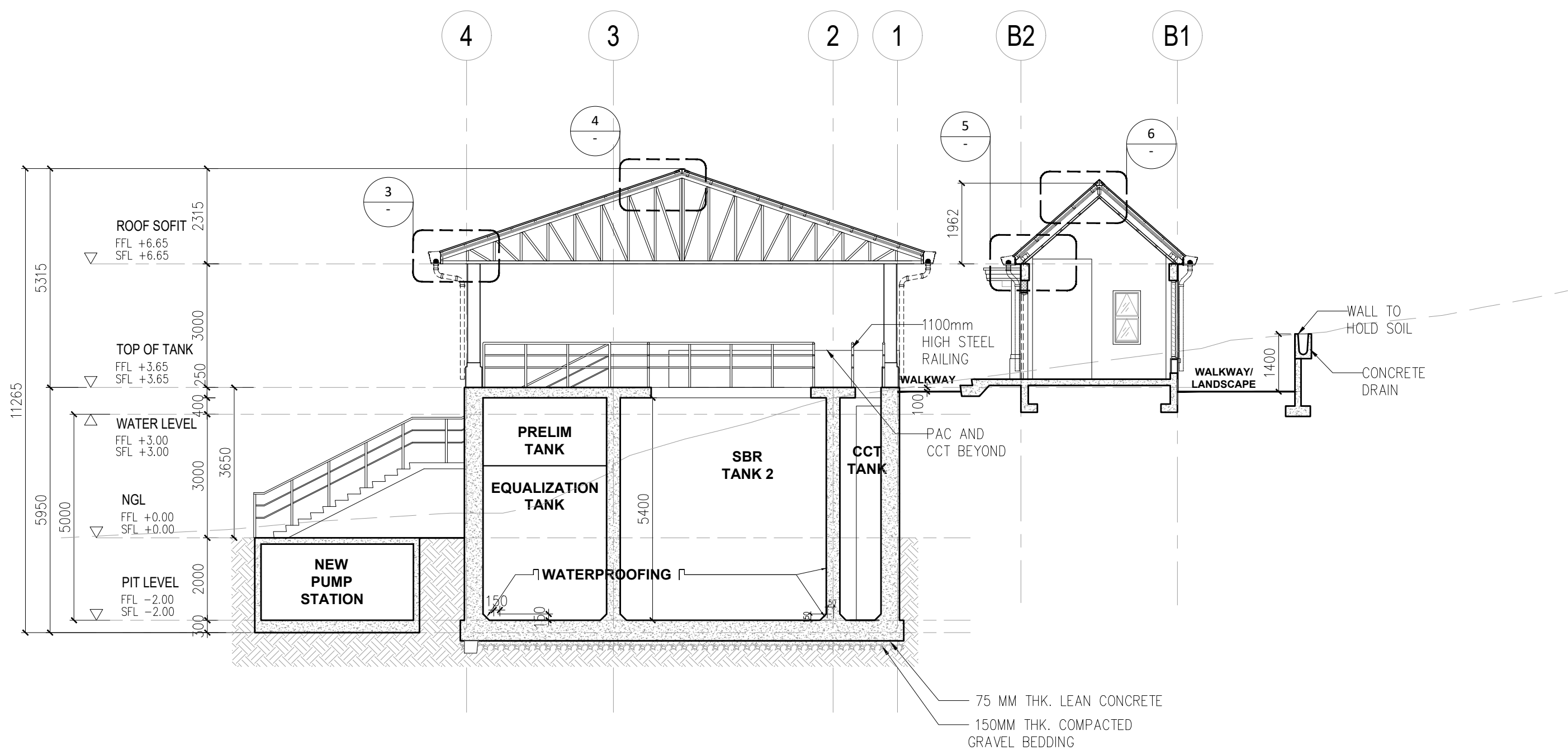


**5 ROOF DETAIL 3**  
DETAIL SCALE 1:20

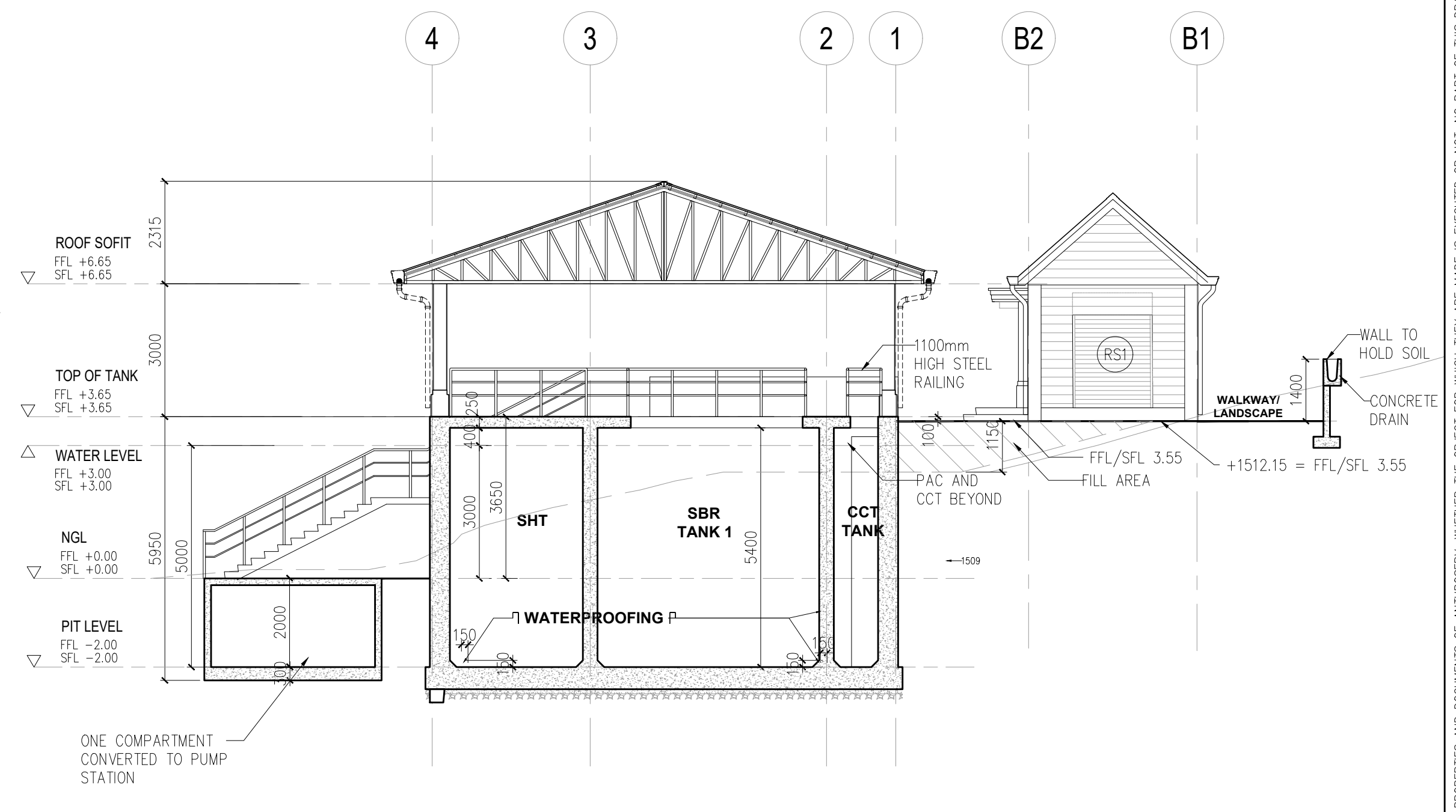


**6 ROOF DETAIL 4**  
DETAIL SCALE 1:20

NOTE : HEIGHT OF REINFORCED WALL WITH CONCRETE DRAIN IS DEPENDENT ON NATURAL SOIL LEVEL.  
CONCRETE DRAIN TO CONTAIN SOIL EROSION AND RAINWATER.



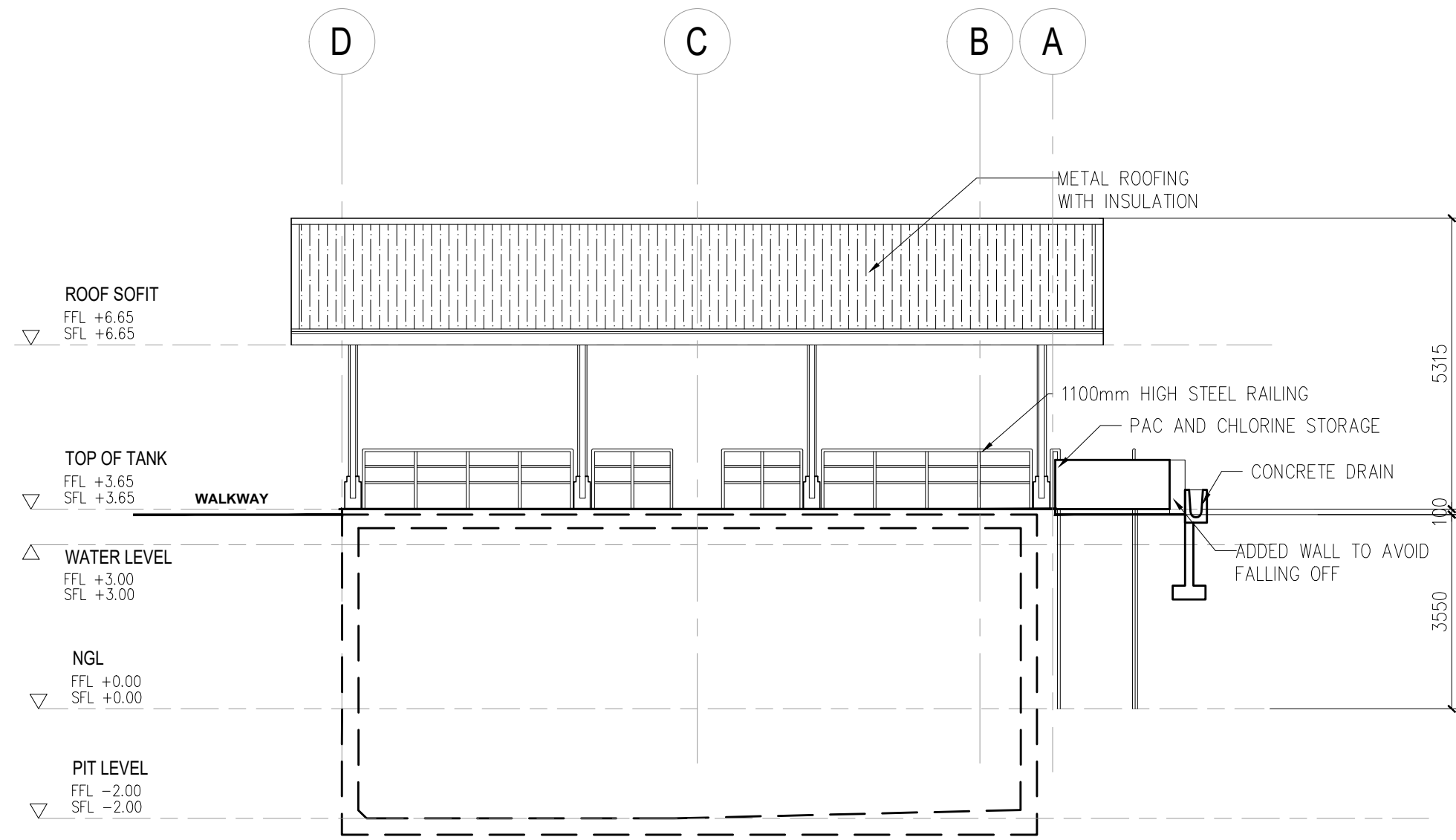
**1 PLANT AND BLOWER/MCC SECTION 1**  
SECTION SCALE 1:100



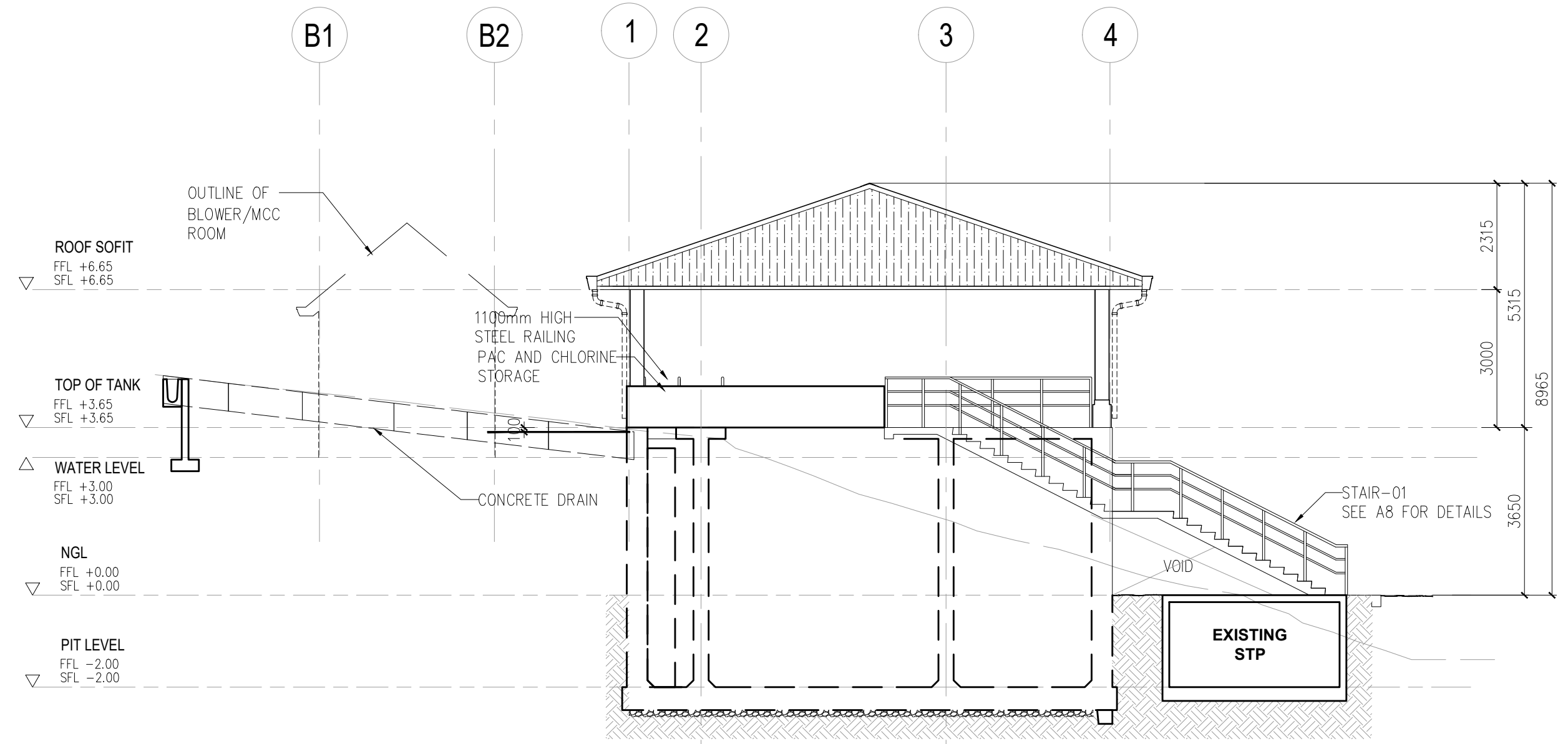
**2 PLANT SECTION 2**  
SECTION SCALE 1:100

<p>UNIT 307, ECO BUILDING, GENERAL AVENUE TANDANG SORA, QUEZON CITY 1116 MM</p> <p>SERVICES OFFERED: PLANT DESIGN PLUMBING WORKS STRUCTURAL DESIGN ENGINEERING DESIGN AND REVIEW EQUIPMENT AND MATERIAL SELECTION ELECTRICAL DESIGN &amp; CALCULATIONS</p>	DESIGN ENGINEER:	PROJECT:	CLIENT:	REVISIONS:	CONTRACT NO.:	STAGE:	CONCEPT DESIGN
	ENGINEER'S NAME	JHMC WASTE WATER TREATMENT PLANT	JOHN HAY MANAGEMENT CORPORATION	NO. DESCRIPTION DATE	WW-22-JHMC-DC-05		
PTR NO.:	VALID UNTIL:	ADDRESS:	1 ORIGINAL ISSUE		SHEET CONTENTS:		SHEET NO.
DATE ISSUED:	PLACE ISSUED:	CAMP JOHN HAY, BAGUIO	1.1		BUILDING SECTIONS		ARCHITECTURAL
			1.2				03 10
			1		SCALE 1:100	DATE 04/23/2023	

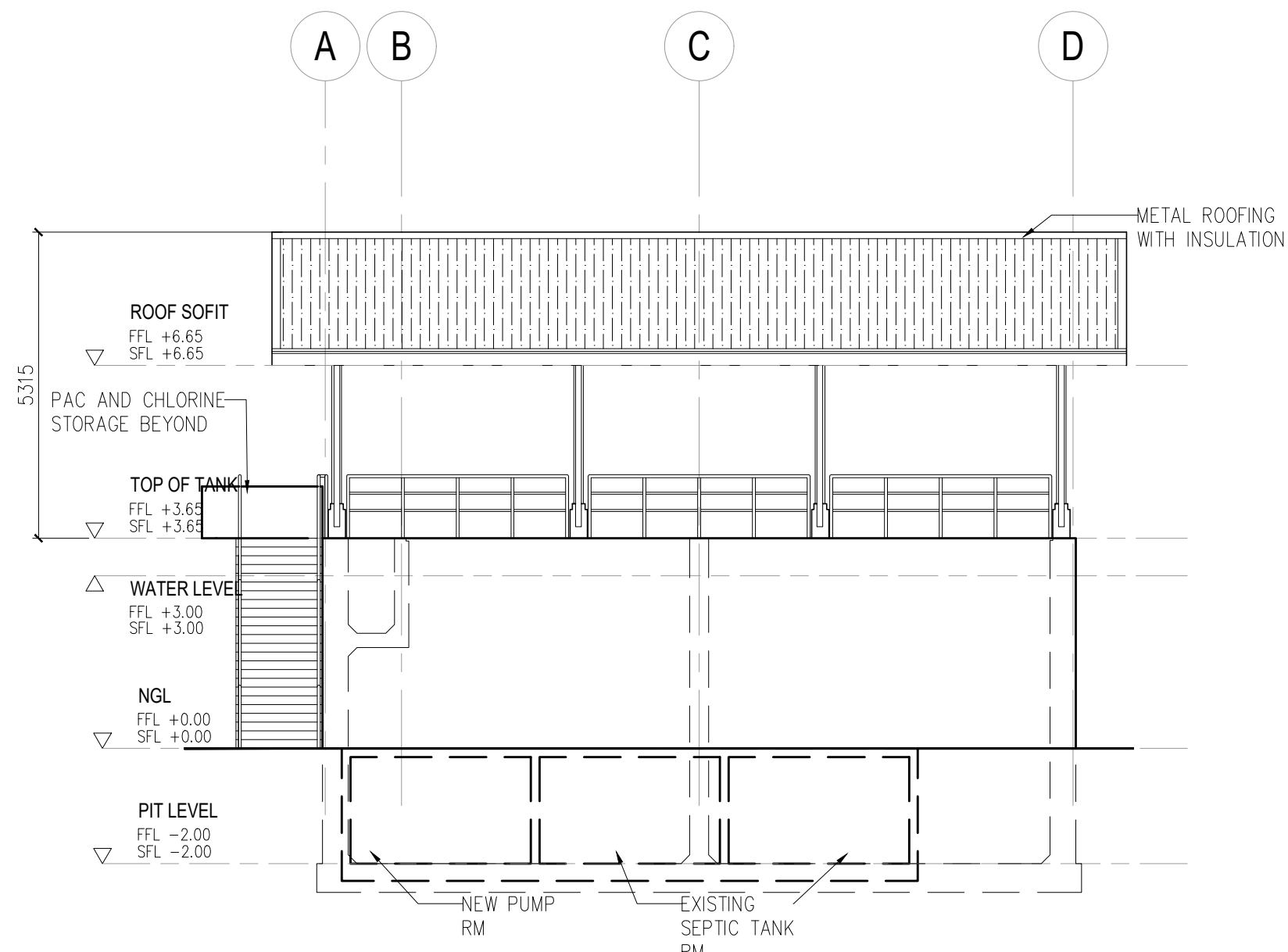
DRAWINGS AND SPECIFICATIONS DULY SIGNED ARE INTELLECTUAL PROPERTIES AND DOCUMENTS OF ANTHROSERV. WHETHER THE OBJECT FOR WHICH THEY ARE MADE IS EXECUTED OR NOT, NO PART OF THIS DRAWING SHALL BE COPIED OR REPRODUCED (EITHER IN PART OR IN WHOLE) UNLESS OTHERWISE WITH THE CONSENT & APPROVAL OF THE UNDERSIGNED DESIGNER.



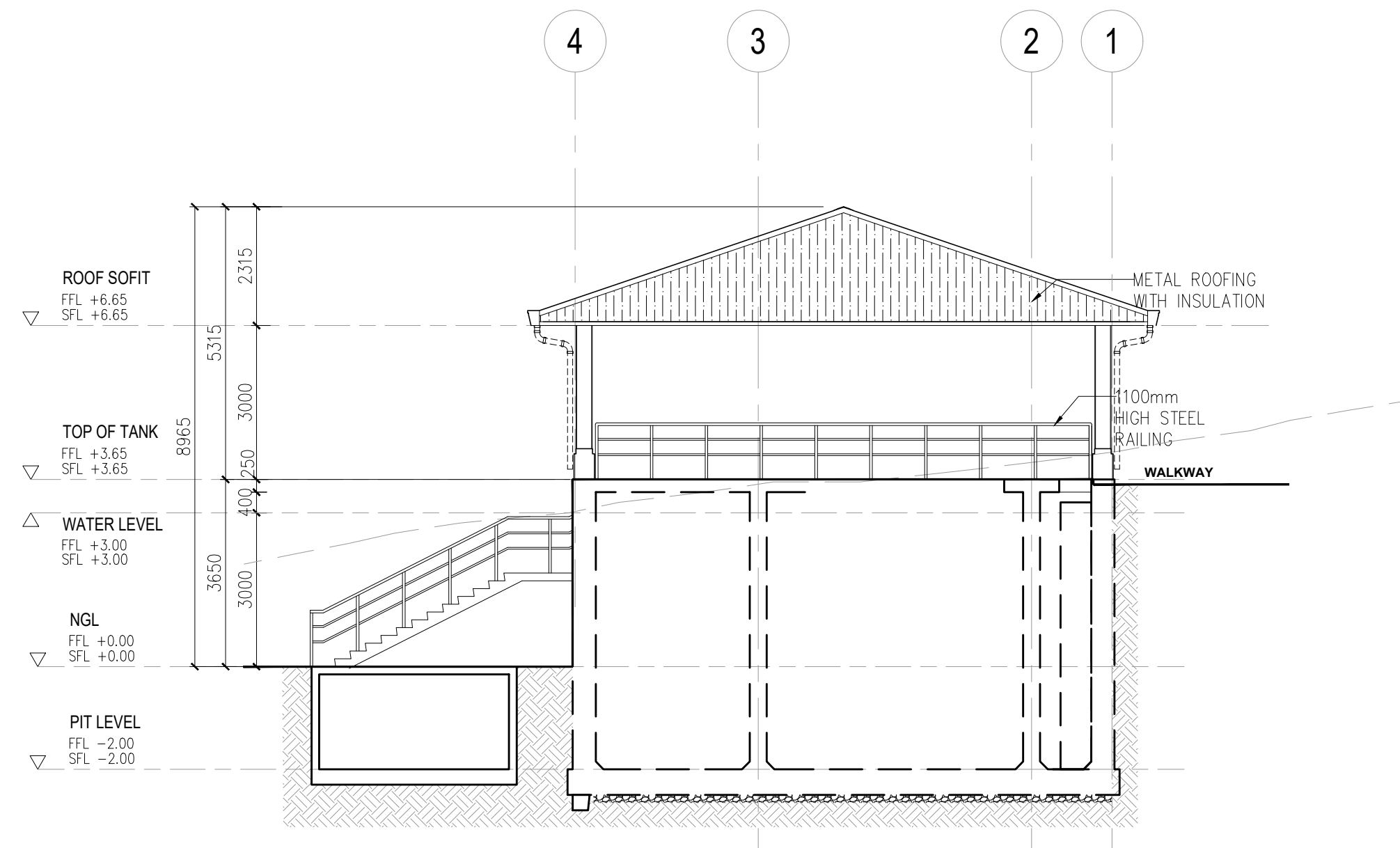
**TREATMENT PLANT ELEVATION 3**  
ELEVATION SCALE 1:100



**TREATMENT PLANT ELEVATION 4**  
ELEVATION SCALE 1:100



**TREATMENT PLANT ELEVATION 1**  
ELEVATION SCALE 1:100

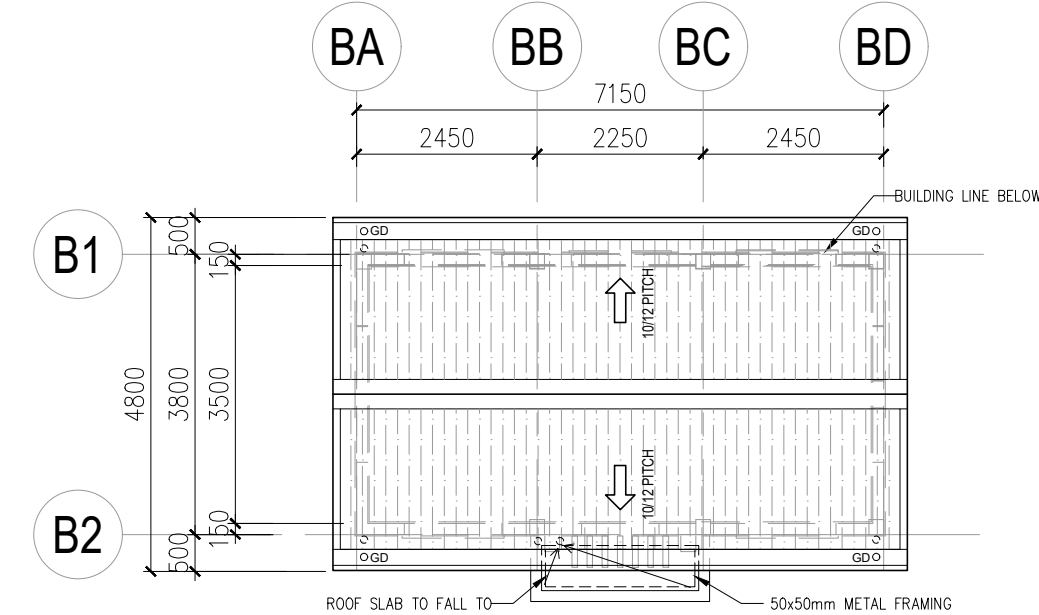


**TREATMENT PLANT ELEVATION 2**  
ELEVATION SCALE 1:100

<p>UNIT 307, ECG BUILDING, GENERAL AVENUE TANDANG SORA, QUEZON CITY 1116 MM</p> <p>SERVICES OFFERED: PLANT DESIGN PLUMBING WORKS STRUCTURAL DESIGN ENGINEERING DESIGN AND REVIEW EQUIPMENT AND MATERIAL SELECTION ELECTRICAL DESIGN &amp; CALCULATIONS</p>	DESIGN ENGINEER:	PROJECT:	CLIENT:	REVISIONS:	CONTRACT NO.:	STAGE:	CONCEPT DESIGN
	ENGINEER'S NAME	JHMC WASTE WATER TREATMENT PLANT	JOHN HAY MANAGEMENT CORPORATION	NO. DESCRIPTION DATE	WW-22-JHMC-DC-08		
	PTR NO.:	ADDRESS:	CAMP JOHN HAY, BAGUIO	0 ORIGINAL ISSUE -			
	DATE ISSUED:	CLIENT'S NAME		1.1 -			
	PLACE ISSUED:			1.2 -			
				1 -	SCALE 1:100	DATE 04/23/2023	SHEET NO. 04 10

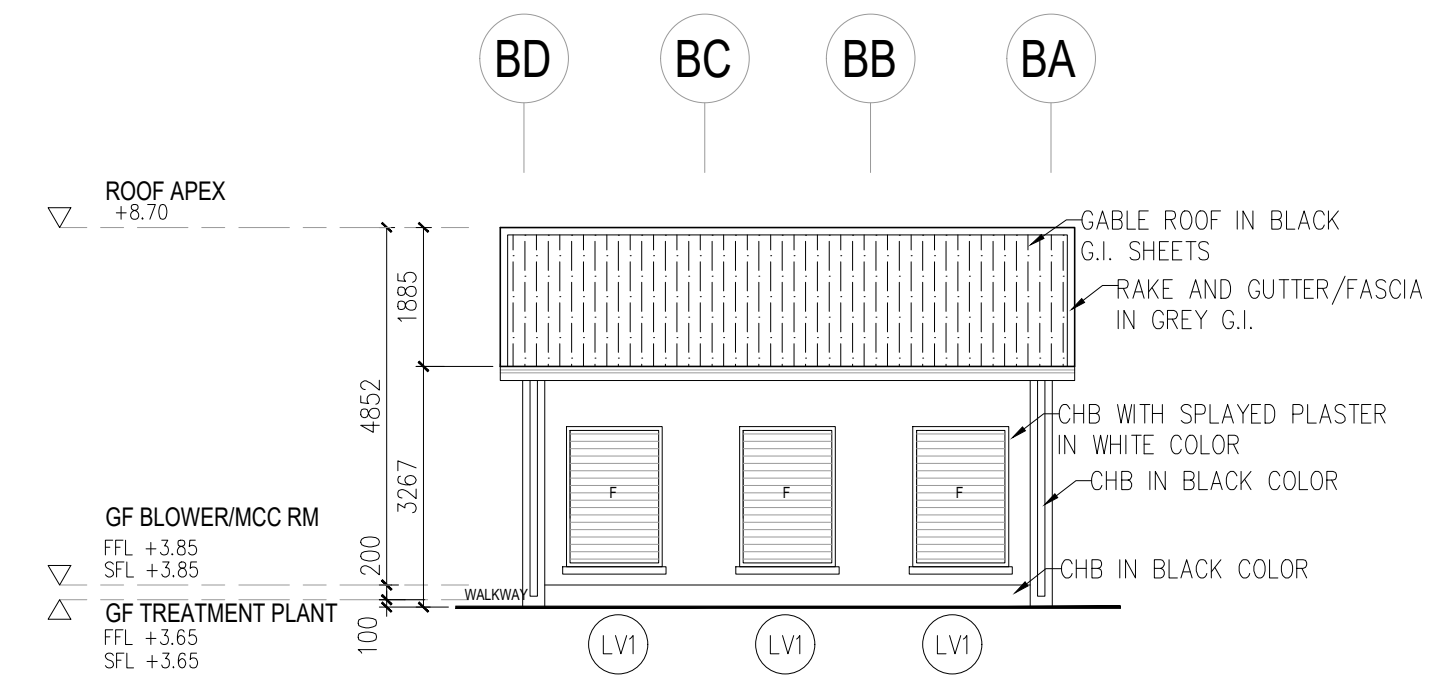
DRAWINGS AND SPECIFICATIONS DULY SIGNED ARE INTELLECTUAL PROPERTIES AND DOCUMENTS OF ANTHROSERV. WHETHER THE OBJECT FOR WHICH THEY ARE MADE IS EXECUTED OR NOT, NO PART OF THIS DRAWING SHALL BE COPIED OR REPRODUCED (EITHER IN PART OR IN WHOLE) UNLESS OTHERWISE WITH THE CONSENT & APPROVAL OF THE UNDERSIGNED DESIGNER.





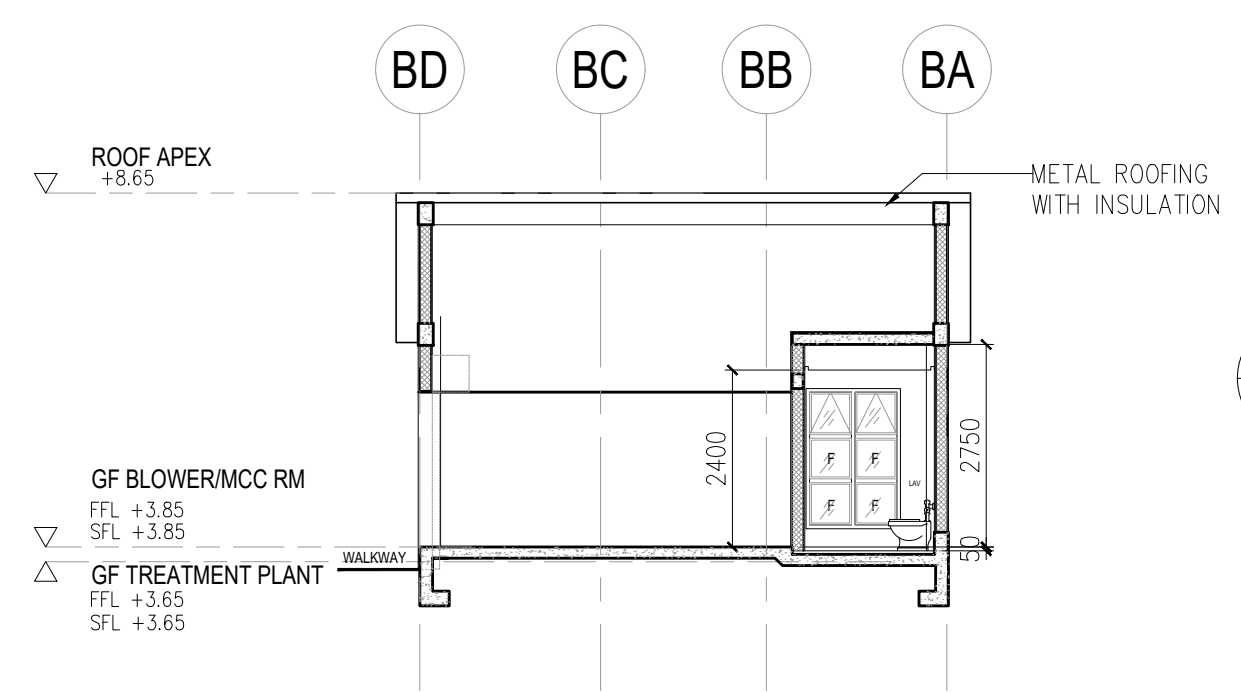
**3 BLOWER & MCC ROOM ROOF PLAN**

PLAN SCALE 1:100



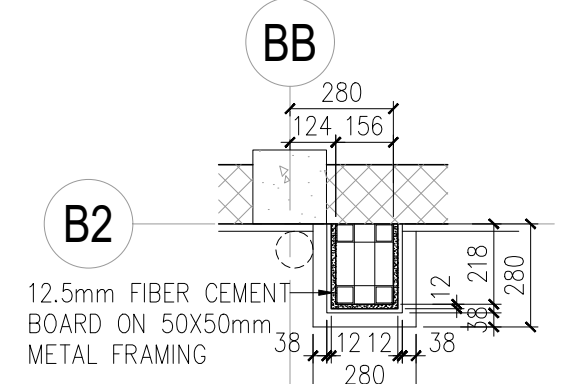
**6 BLOWER & MCC ROOM ELEVATION 3**

ELEVATION SCALE 1:100



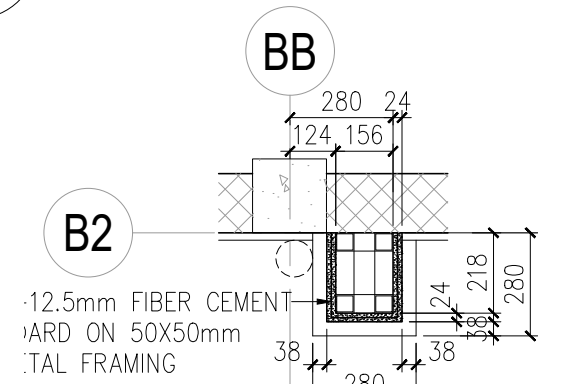
**9 BLOWER & MCC ROOM SECTION 2**

SECTION SCALE 1:100



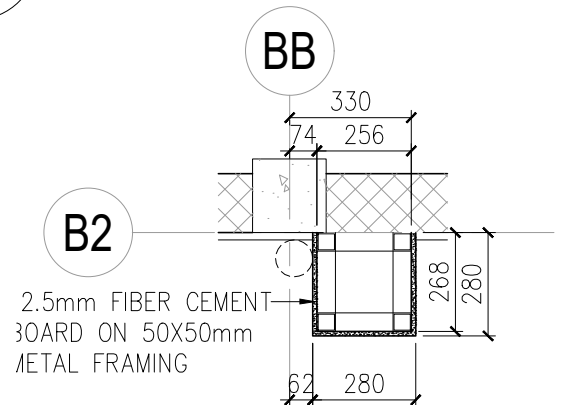
**13 FALSE COLUMN ENLARGED PLAN 3**

SCALE 1:20



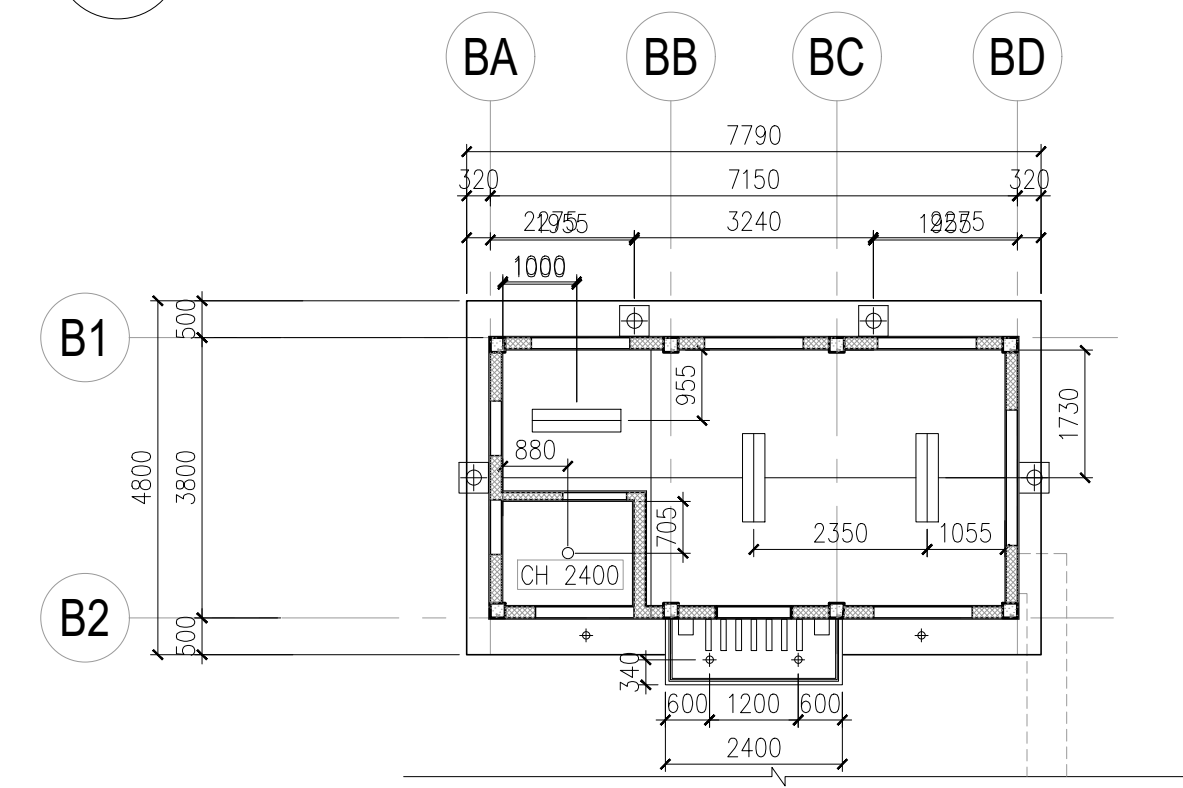
**12 FALSE COLUMN ENLARGED PLAN 2**

SCALE 1:20



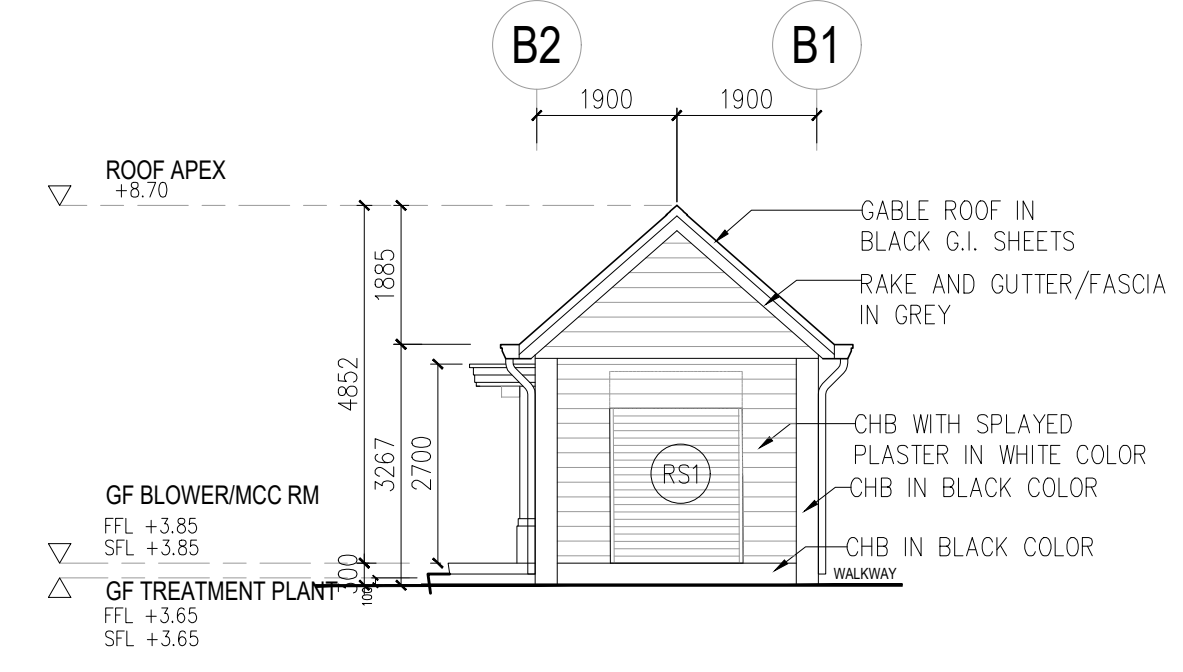
**11 FALSE COLUMN ENLARGED PLAN 1**

SCALE 1:20



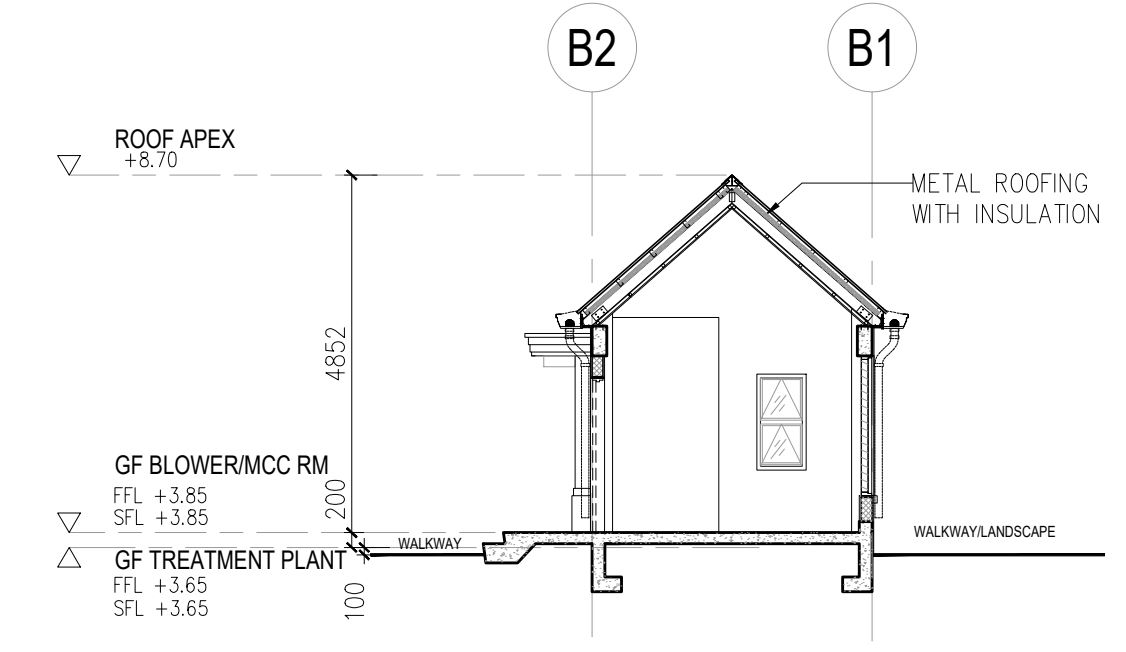
**2 BLOWER & MCC ROOM REFLECTED CEILING PLAN**

PLAN SCALE 1:100



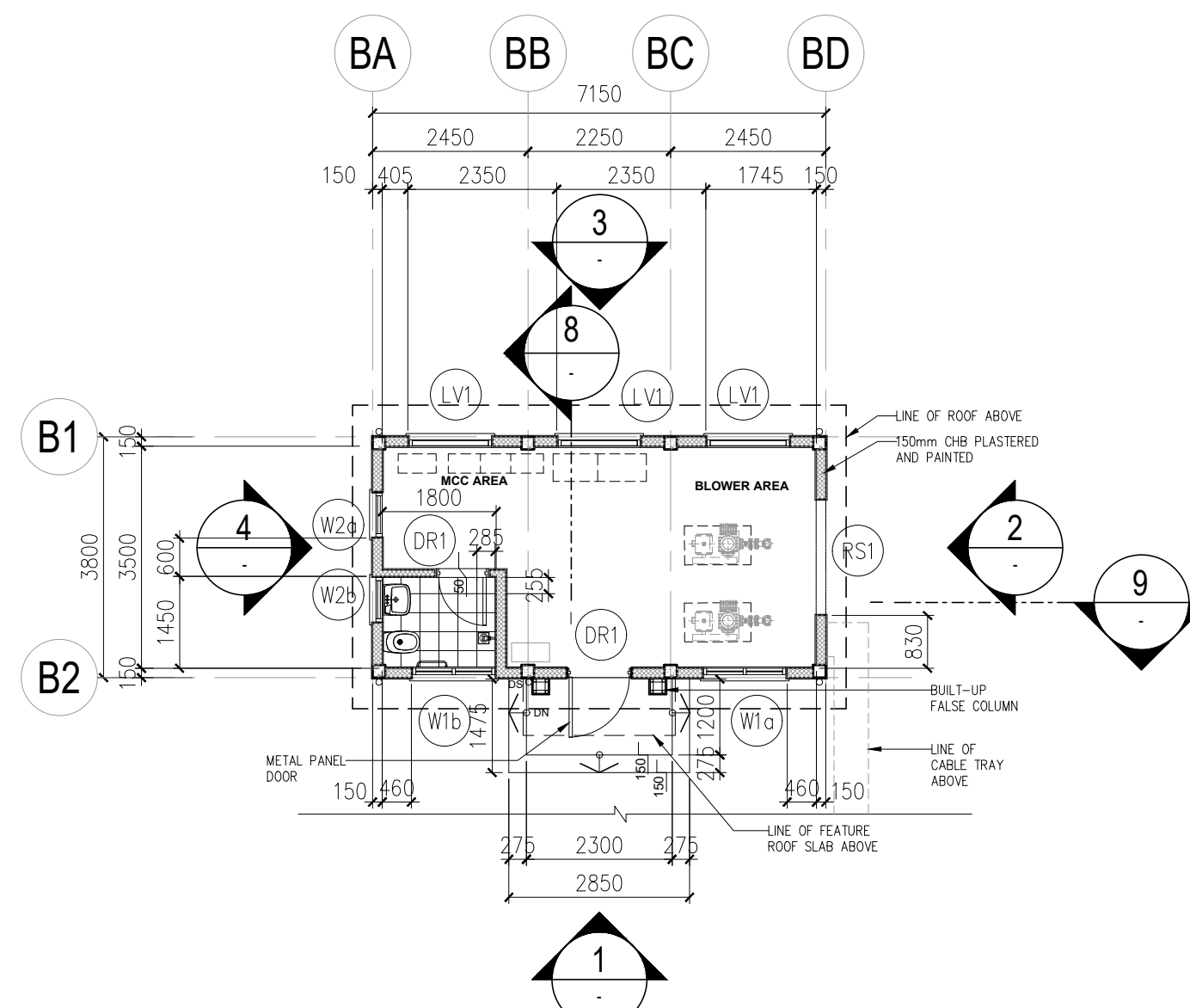
**5 BLOWER & MCC ROOM ELEVATION 2**

ELEVATION SCALE 1:100



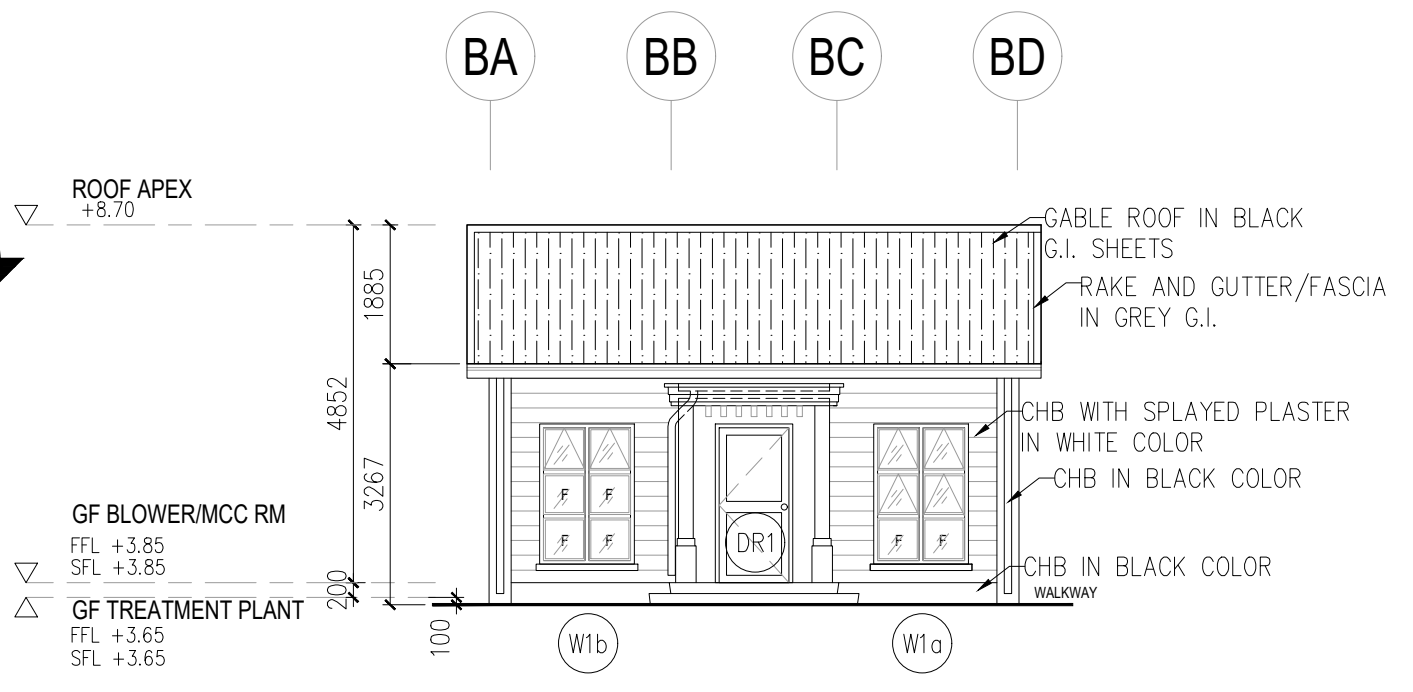
**8 BLOWER & MCC ROOM SECTION 1**

SECTION SCALE 1:100



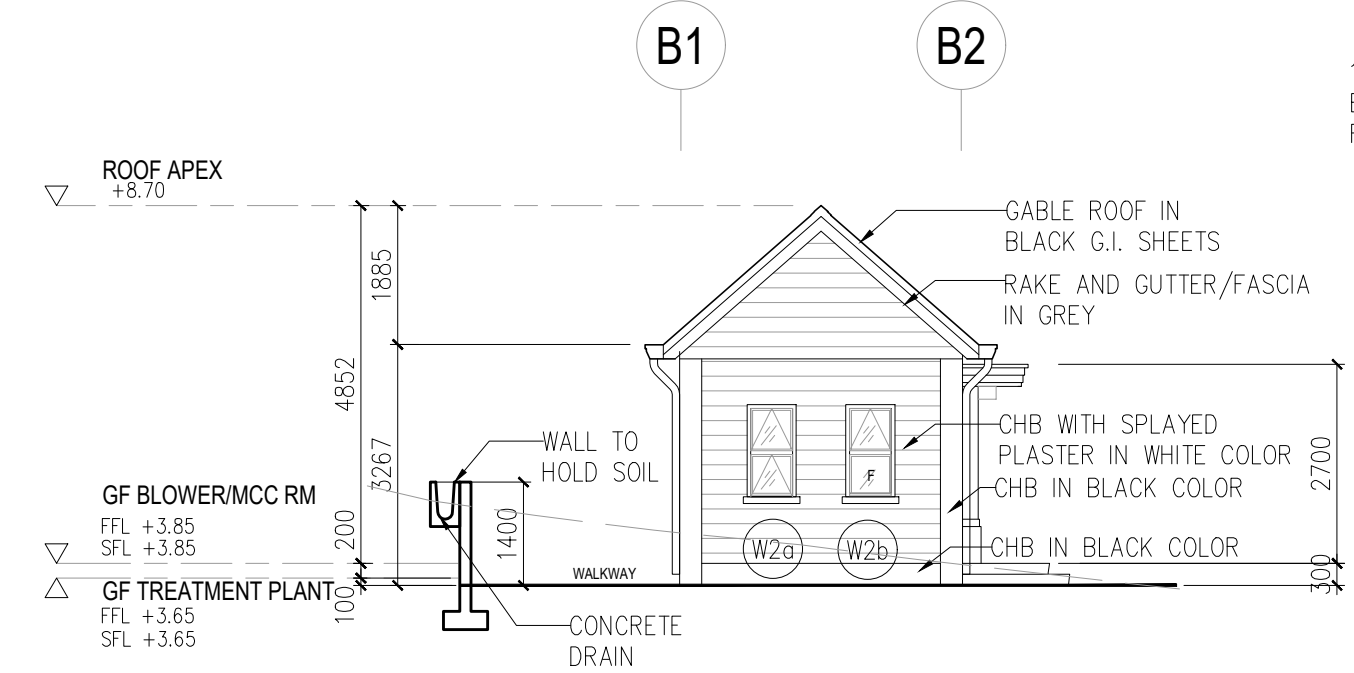
**1 BLOWER & MCC ROOM PIT LEVEL PLAN**

PLAN SCALE 1:100



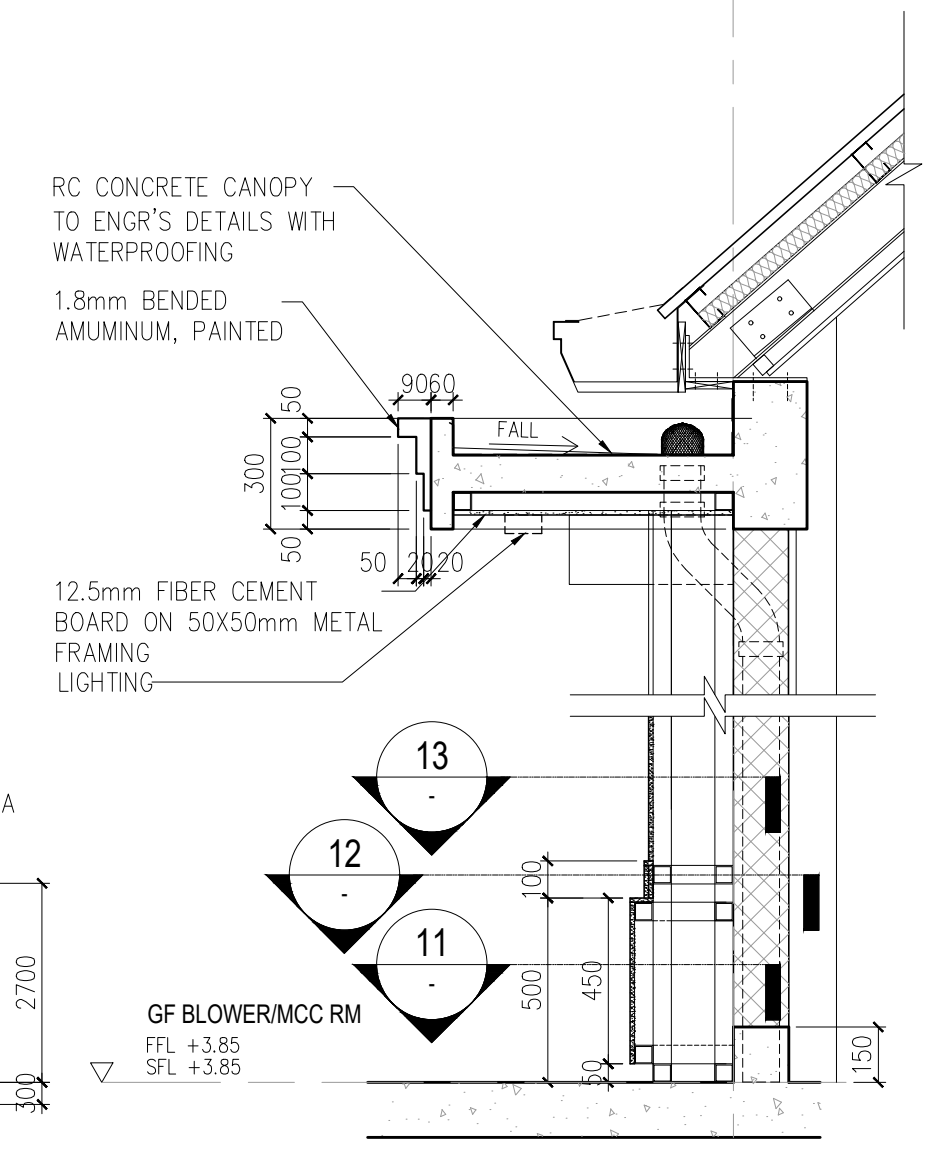
**4 BLOWER & MCC ROOM ELEVATION 1**

ELEVATION SCALE 1:100



**7 BLOWER & MCC ROOM ELEVATION 4**

ELEVATION SCALE 1:100



**10 BLOWER & MCC ROOM BAY SECTION**

SCALE 1:20

<p>UNIT 307, ECG BUILDING, GENERAL AVENUE TANDANG SORA, QUEZON CITY 1116 MM</p> <p>SERVICES OFFERED: PLANT DESIGN PLUMBING WORKS STRUCTURAL DESIGN ENGINEERING DESIGN AND REVIEW EQUIPMENT AND MATERIAL SELECTION ELECTRICAL DESIGN &amp; CALCULATIONS</p>	DESIGN ENGINEER:	PROJECT:	CLIENT:	REVISIONS:	CONTRACT NO.:	STAGE:	CONCEPT DESIGN	
	ENGINEER'S NAME	JHMC WASTE WATER TREATMENT PLANT	JOHN HAY MANAGEMENT CORPORATION	NO. DESCRIPTION DATE	WW-22-JHMC-DC-08			
	PTR NO.:	ADDRESS:	CAMP JOHN HAY, BAGUIO	0 ORIGINAL ISSUE				SHEET NO. ARCHITECTURAL
	DATE ISSUED:	CLIENT'S NAME		1.1				05 10
PLACE ISSUED:			1.2		SCALE 1:100	DATE 03/24/2023		

DRAWINGS AND SPECIFICATIONS DULY SIGNED ARE INTELLECTUAL PROPERTIES AND DOCUMENTS OF ANTHROSERV, WHETHER THE OBJECT FOR WHICH THEY ARE MADE IS EXECUTED OR NOT. NO PART OF THIS DRAWING SHALL BE COPIED OR REPRODUCED (EITHER IN PART OR IN WHOLE) UNLESS OTHERWISE WITH THE CONSENT & APPROVAL OF THE UNDERSIGNED DESIGNER.