

Republic of the Philippines  
Office of the President



## INSTALLATION OF LANDSCAPED SUNSHADE AT SECRET GARDEN

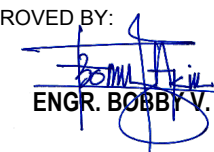
DRAFTED BY:

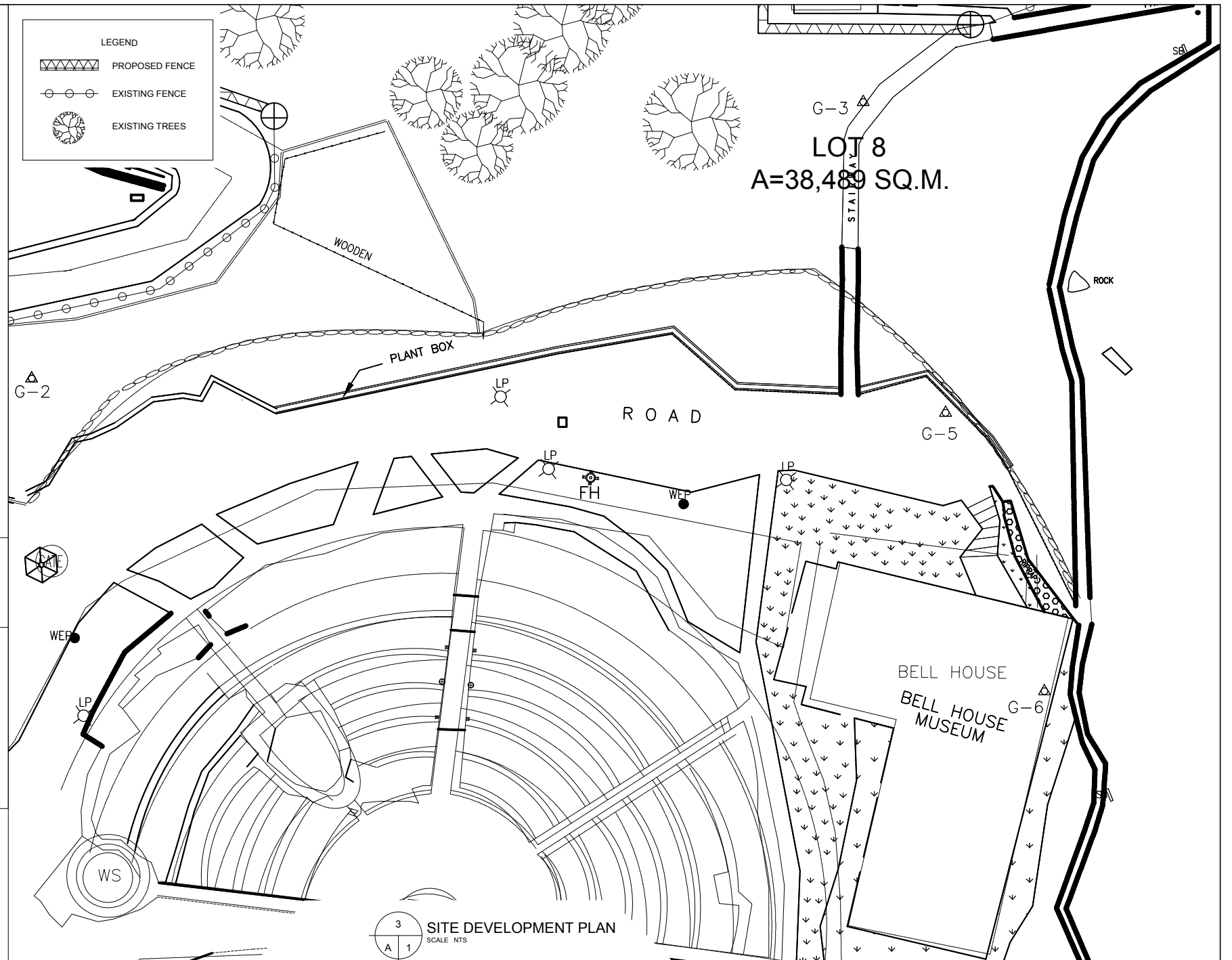
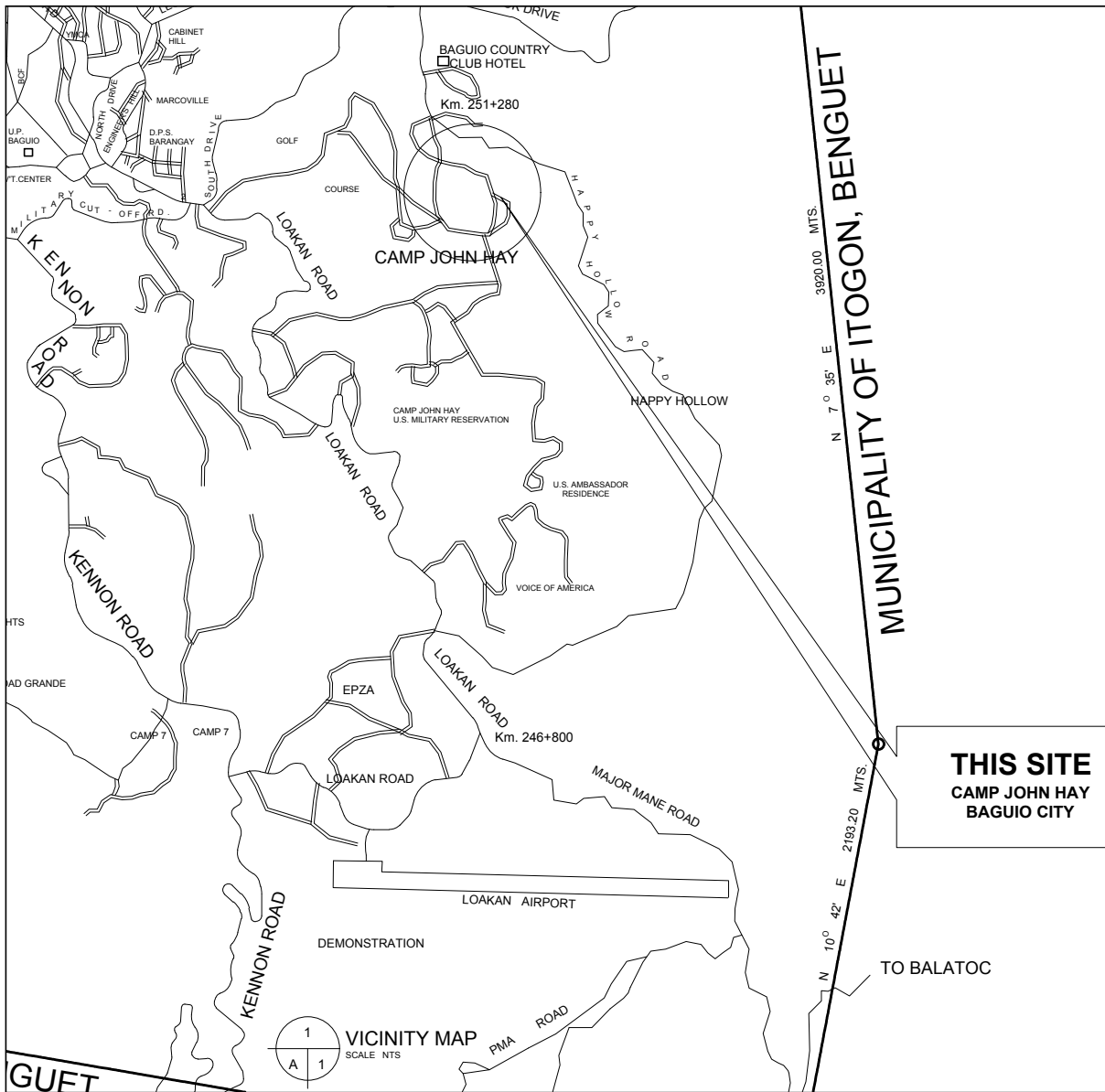
  
ENGR. ADRIYEL A. UDA

CHECKED BY:

  
ARCH. LUZVIMINDA M. NIGOS-PANGANIBAN

APPROVED BY:

  
ENGR. BOBBY V. AKIA



Republic of the Philippines  
Office of the President  
**JHMC**  
JOHN HAY MANAGEMENT CORPORATION  
a member of The BCDA Group

(PROJECT TITLE)

CONTRACTOR	:	
DATE STARTED	:	
CONTRACT COMPLETION DATE	:	(WHITE BACKGROUND)
CONTRACT COST	:	
PROJECT LOCATION	:	
SOURCE OF FUND	:	

2400

1200

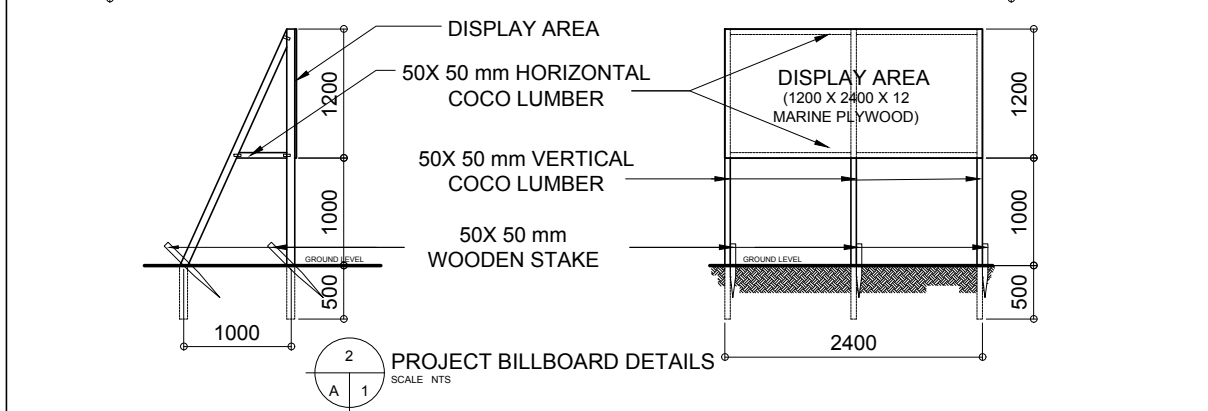
BLACK TEXT

John Hay Special Economic Zone  
P.O. Box 1088, Baguio City 2600  
Philippines

A member of The BCDA Group

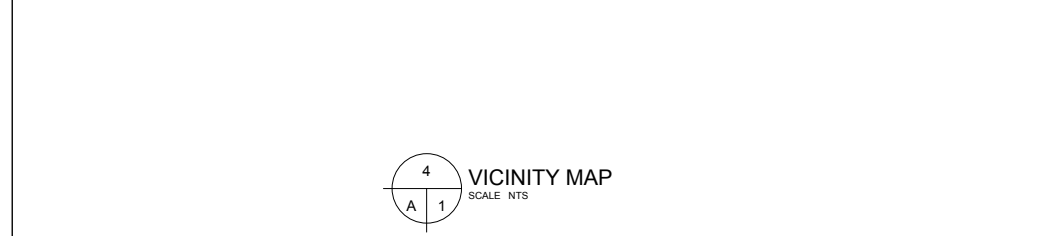
Telefax: (+6374)444-5823  
E-Mail: mgmt@jhmc.com.ph  
Website: www.jhmc.com.ph

"Catalyst for National Development through Good Corporate Governance"



3  
SCALE NTS

ITEM NO.	DESCRIPTION	QTY	UNIT	REMARKS
B.5	PROJECT BILLBOARD/ SIGNBOARD	1.00	Each	WOODEN FRAME
B.7(1)	OCCUPATIONAL SAFETY AND HEALTH PROGRAM	1.00	Month	
B.9	MOBILIZATION/DEMOBILIZATION	1.00	l.s.	
100(2)	CLEARING AND GRUBBING	1.00	Lumpsum	
102(2)	SURPLUS COMMON EXCAVATION	3.30	Cubic Meter	COMMON BORROW
404(1)a	REINFORCING STEEL	449.00	Kilogram	GRADE 40
405(1)a3	STRUCTURAL CONCRETE	6.00	Cubic Meter	CLASS A (20.68MPA)
411(2)	PAINT	18.00	Square Meter	WHITE
1047(1)	STRUCTURAL STEEL	1.00	Lumpsum	
807(2)	SITE DEVELOPMENT	1.00	Square Meter	SOFTSCAPE



INDEX OF DRAWINGS

PAGE	DWG NO.	TITLE
1	1	VICINITY MAP
1	2	SUMMARY OF QUANTITIES
1	3	SITE DEVELOPMENT PLAN
1	4	PLAN VIEW
2	1	ELEVATION PLAN: FRONT
2	2	ELEVATION PLAN: REAR
2	3	ELEVATION PLAN: RIGHT SIDE
2	3	ELEVATION PLAN: LEFT SIDE
3	1	PLAN : TRELLIS - TOP VIEW
3	2	SLAB ON FILL DETAIL
3	3	STEEL BENCH DETAILS
3	3	FOOTING, COLUMN, & PEDESTAL DETAIL

Republic of the Philippines  
Office of the President  
**JHMC**  
JOHN HAY MANAGEMENT CORPORATION

SHEET CONTENT:

VICINITY MAP

SUMMARY OF QUANTITIES

SITE DEVELOPMENT PLAN

PLAN VIEW

PROJECT TITLE

**INSTALLATION OF LANDSCAPED SUNSHADE AT THE SECRET GARDEN**

LOCATION OF PROJECT:

**CAMP JOHN HAY, BAGUIO CITY**

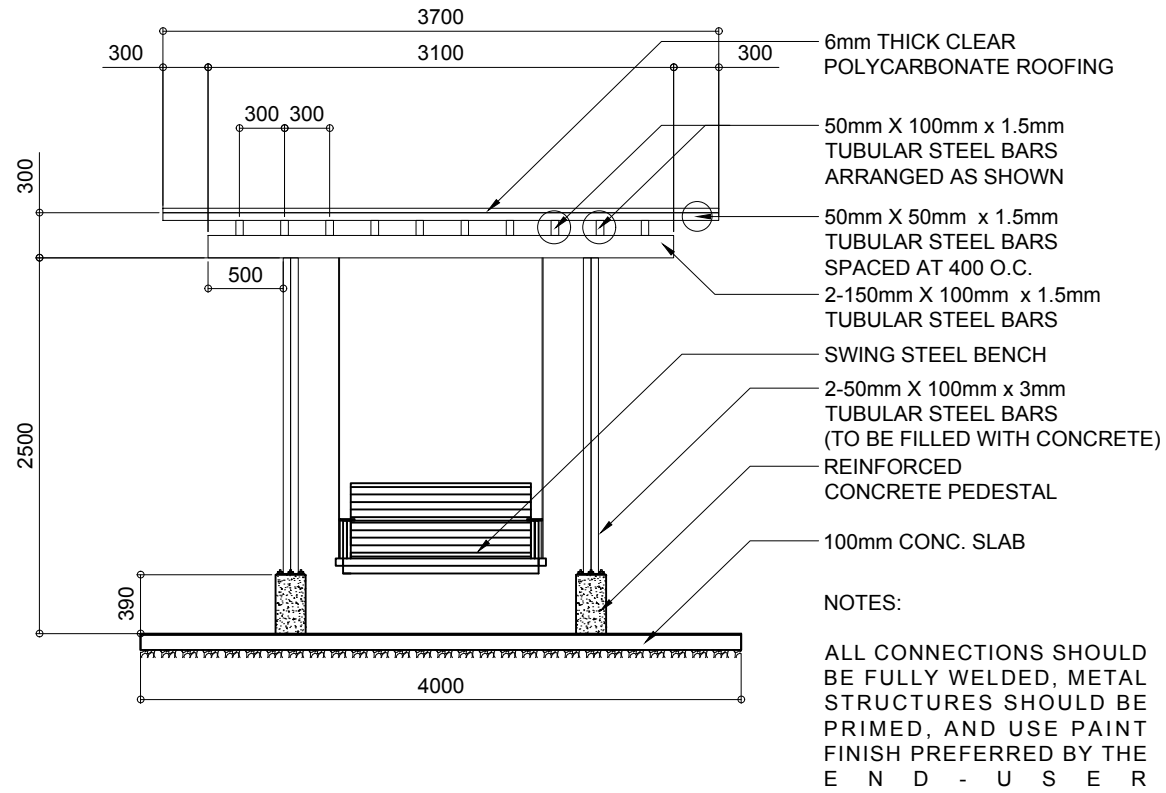
APPROVED BY:   
ENGR. BOBBY V. AKIA

CHECKED BY:   
ARCH. LUZVIMINDA M. NIGOSA-PANGANIBAN

DRAFTED BY:   
ENGR. ADRIYEL A. UDA

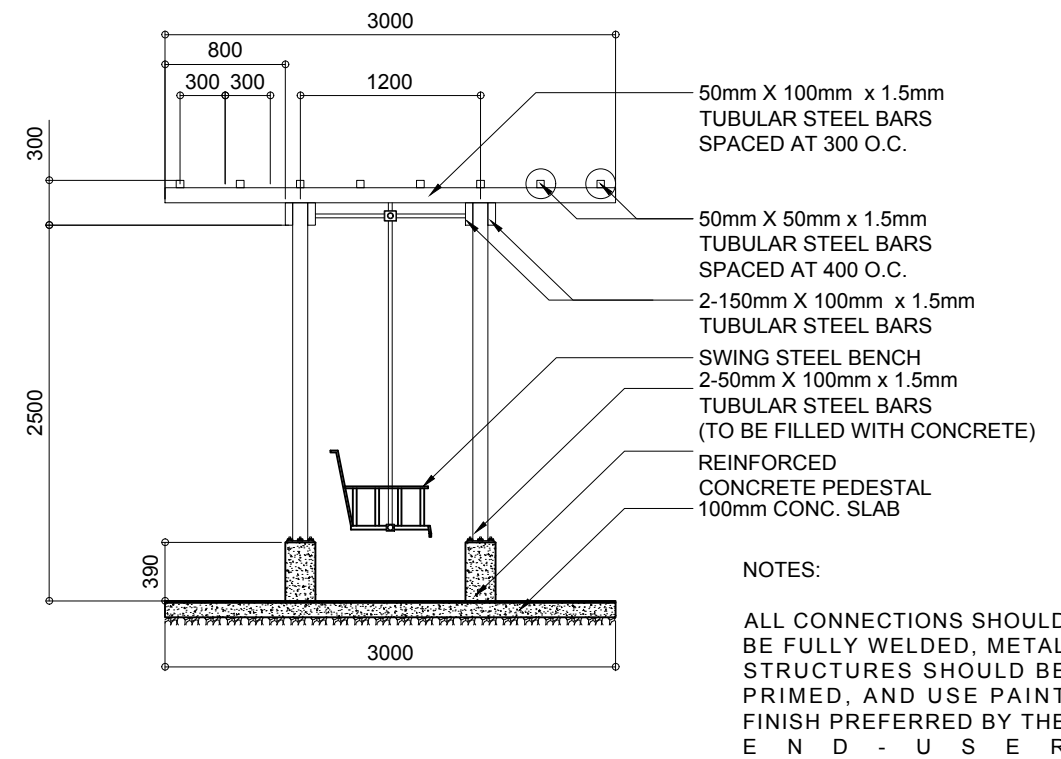
DATE: 8 OCTOBER 2021

PAGE:



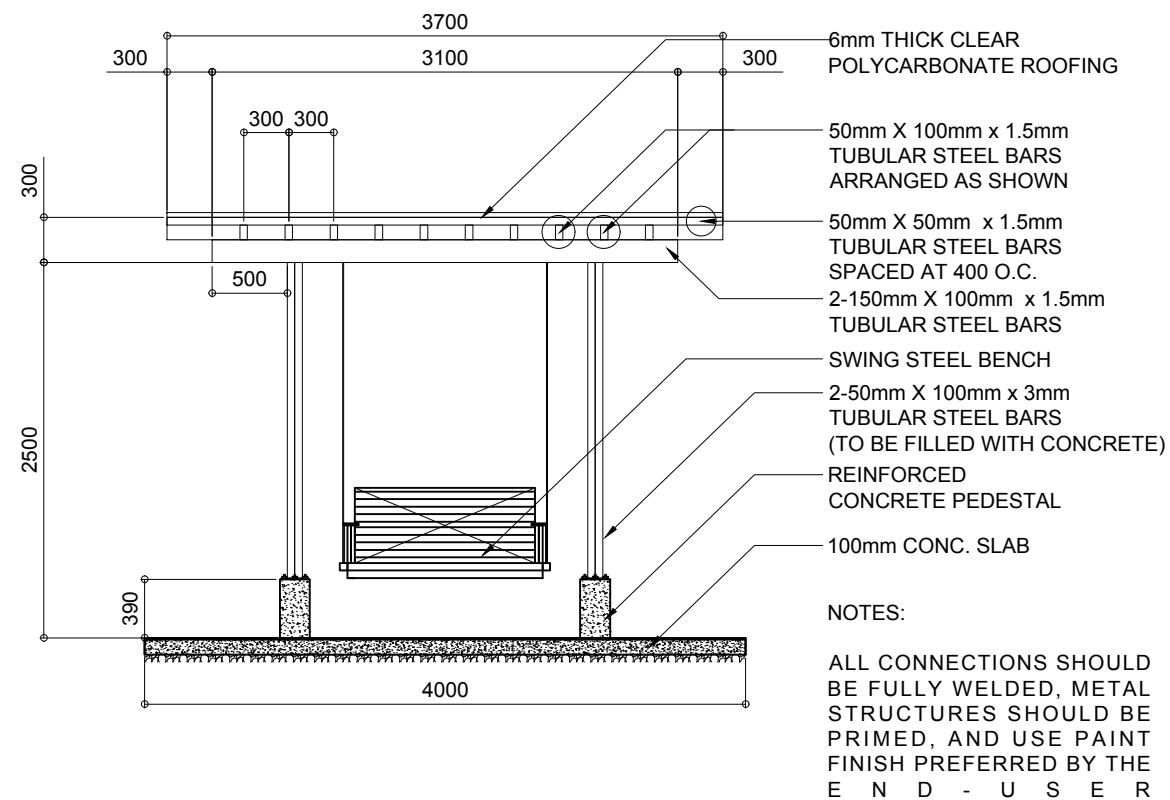
NOTES:  
ALL CONNECTIONS SHOULD BE FULLY WELDED, METAL STRUCTURES SHOULD BE PRIMED, AND USE PAINT FINISH PREFERRED BY THE E N D - U S E R

1  
A 1  
ELEVATION PLAN: FRONT  
SCALE: 1:50 M



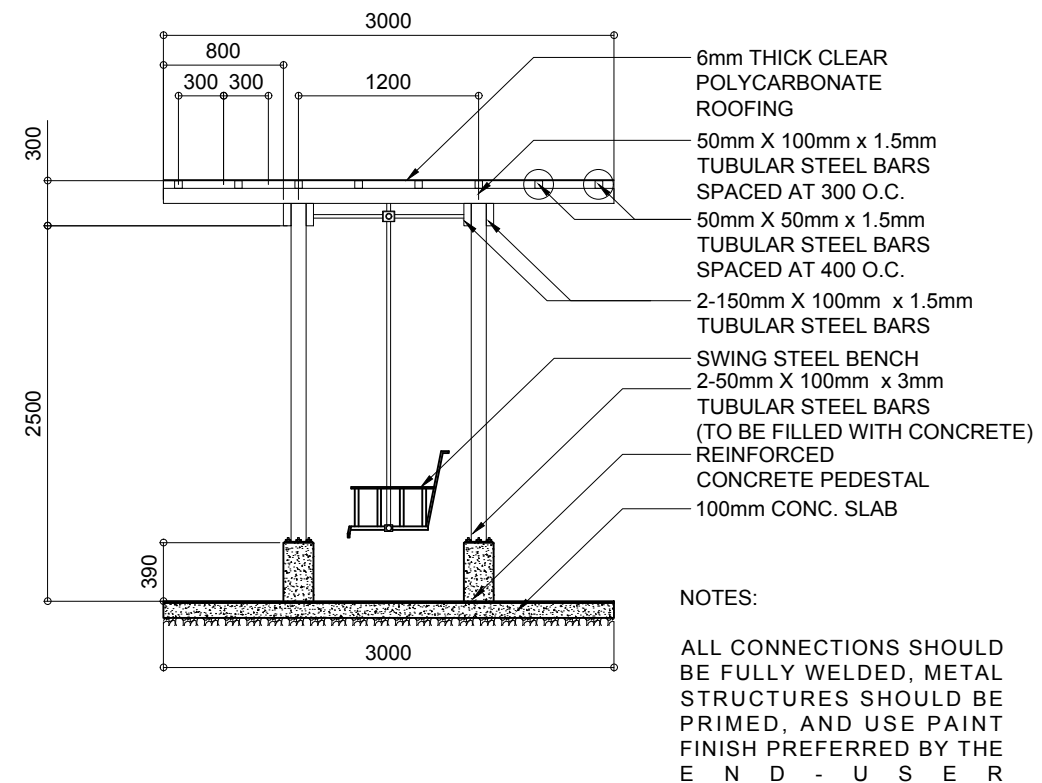
NOTES:  
ALL CONNECTIONS SHOULD BE FULLY WELDED, METAL STRUCTURES SHOULD BE PRIMED, AND USE PAINT FINISH PREFERRED BY THE E N D - U S E R

3  
A 1  
ELEVATION PLAN: RIGHT SIDE  
SCALE: 1:50 M







NOTES:  
ALL CONNECTIONS SHOULD BE FULLY WELDED, METAL STRUCTURES SHOULD BE PRIMED, AND USE PAINT FINISH PREFERRED BY THE E N D - U S E R

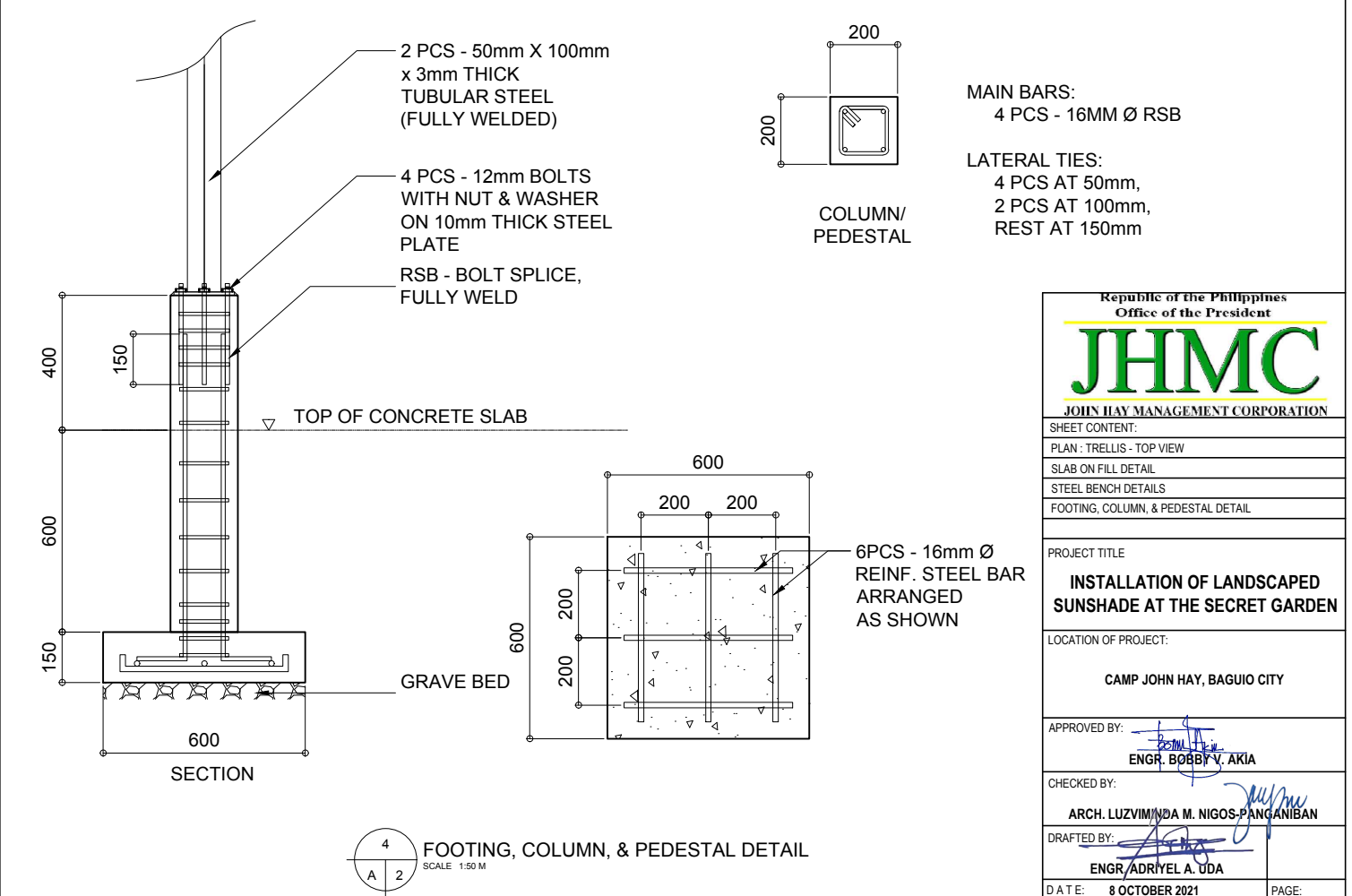
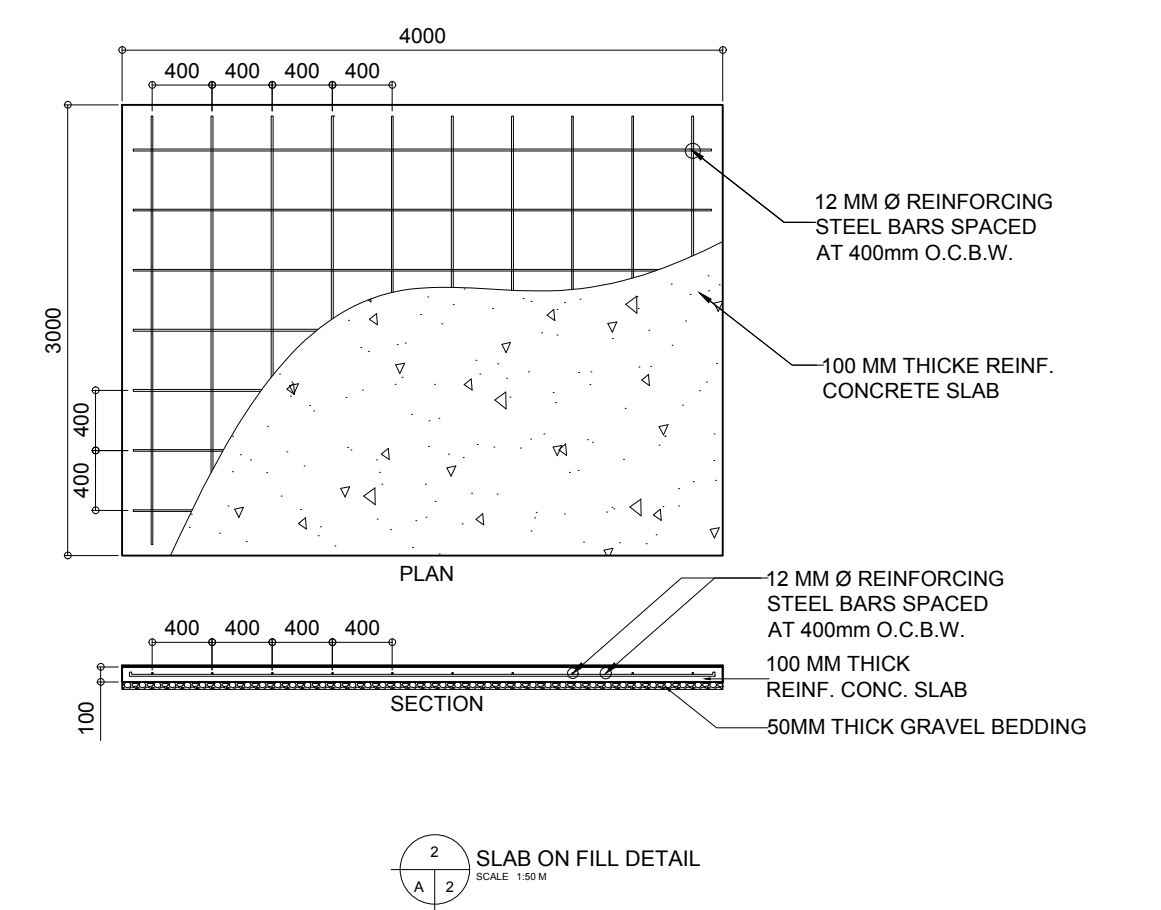
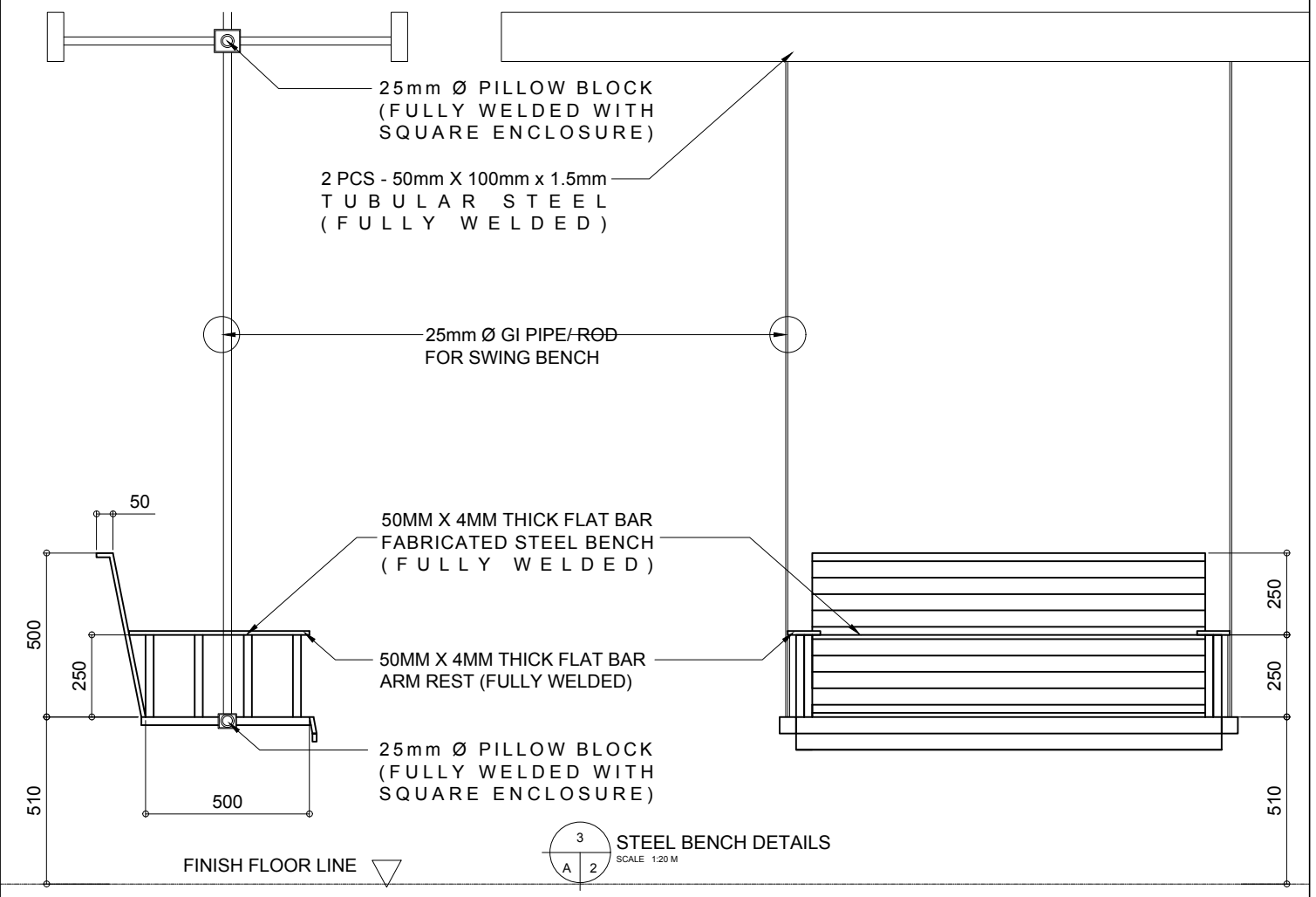
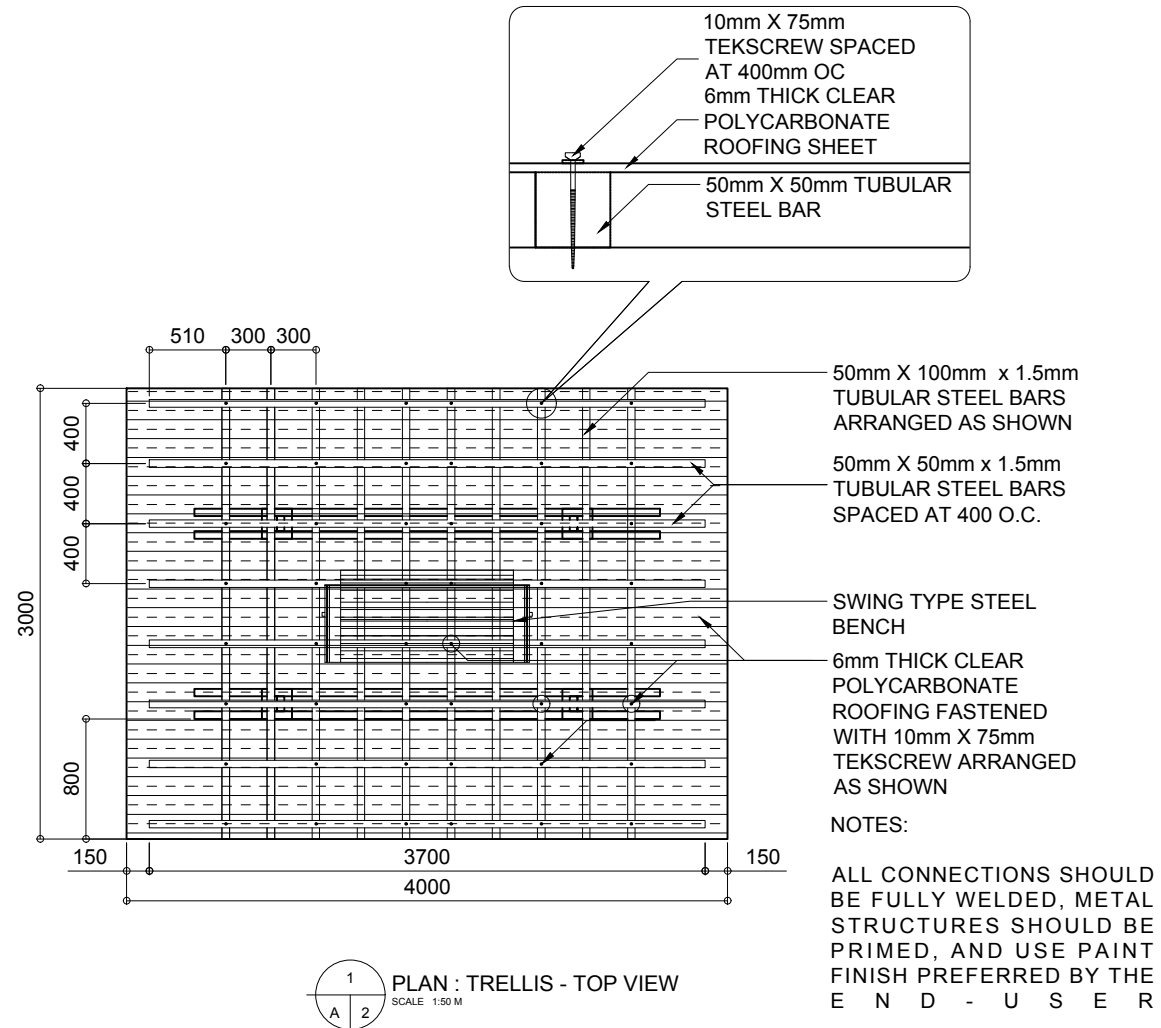
2  
A 1  
ELEVATION PLAN: REAR  
SCALE: 1:50 M



NOTES:  
ALL CONNECTIONS SHOULD BE FULLY WELDED, METAL STRUCTURES SHOULD BE PRIMED, AND USE PAINT FINISH PREFERRED BY THE E N D - U S E R

4  
A 1  
ELEVATION PLAN: LEFT SIDE  
SCALE: 1:50 M

Republic of the Philippines Office of the President  <b>JHMC</b> JOHN HAY MANAGEMENT CORPORATION	
SHEET CONTENT:	
ELEVATION PLAN (FRONT)	
ELEVATION PLAN (REAR)	
ELEVATION PLAN (RIGHT SIDE)	
ELEVATION PLAN (LEFT SIDE)	
PROJECT TITLE	
<b>INSTALLATION OF LANDSCAPED SUNSHADE AT THE SECRET GARDEN</b>	
LOCATION OF PROJECT:	
<b>CAMP JOHN HAY, BAGUIO CITY</b>	
APPROVED BY:	 ENGR. BOBBY V. AKIA
CHECKED BY:	 ARCH. LUZVIMINDA M. NIGOS-PANGANIBAN
DRAFTED BY:	 ENGR. ADRIEL A. UDA
DATE: 8 OCTOBER 2021	PAGE:



Republic of the Philippines Office of the President	
<b>JHMC</b>	
JOHN HAY MANAGEMENT CORPORATION	
SHEET CONTENT:	
PLAN : TRELLIS - TOP VIEW	
SLAB ON FILL DETAIL	
STEEL BENCH DETAILS	
FOOTING, COLUMN, & PEDESTAL DETAIL	
PROJECT TITLE	
<b>INSTALLATION OF LANDSCAPED SUNSHADE AT THE SECRET GARDEN</b>	
LOCATION OF PROJECT:	
<b>CAMP JOHN HAY, BAGUIO CITY</b>	
APPROVED BY:	
<i>[Signature]</i> <b>ENGR. BOBBY V. AKIA</b>	
CHECKED BY:	
<i>[Signature]</i> <b>ARCH. LUZVIMDA M. NIGOS-PANGANIBAN</b>	
DRAFTED BY:	
<i>[Signature]</i> <b>ENGR. ADRIYEL A. UDA</b>	
DATE: 8 OCTOBER 2021	PAGE: