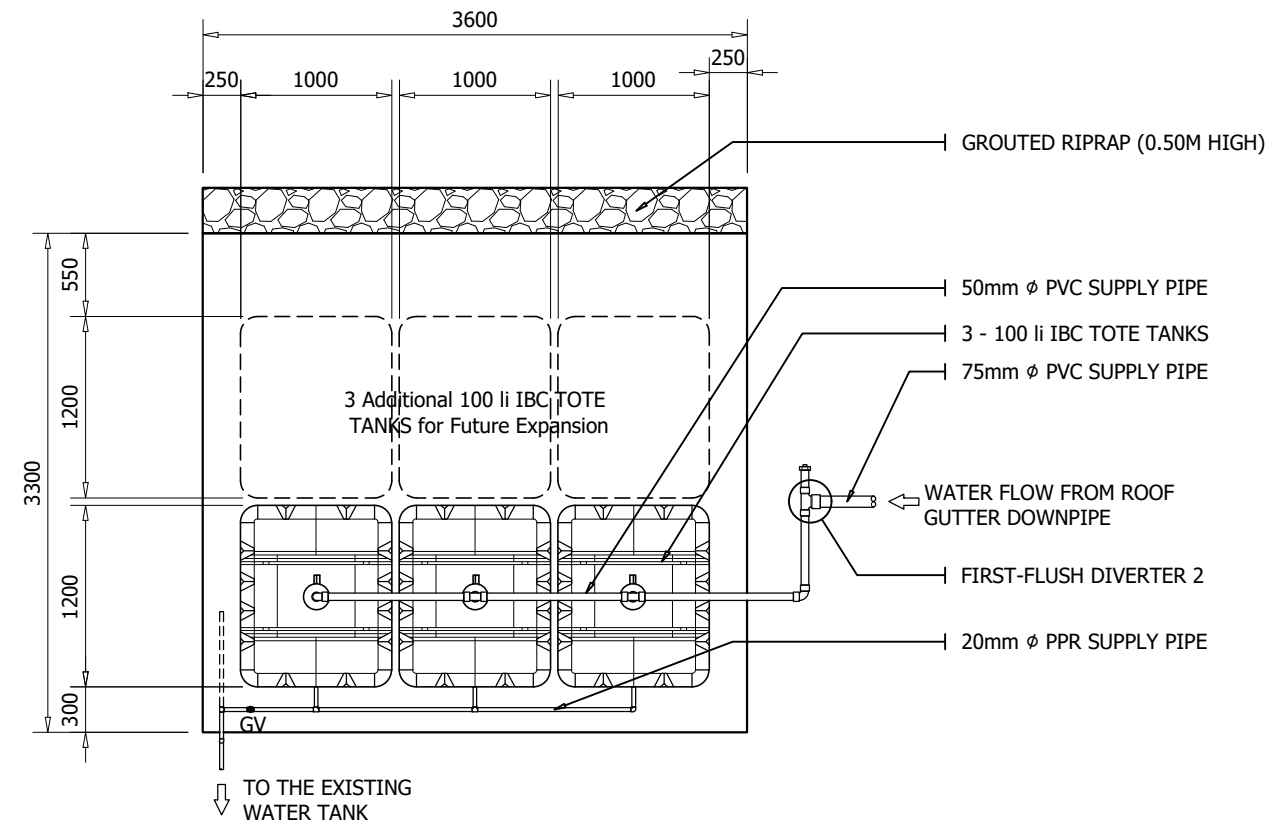
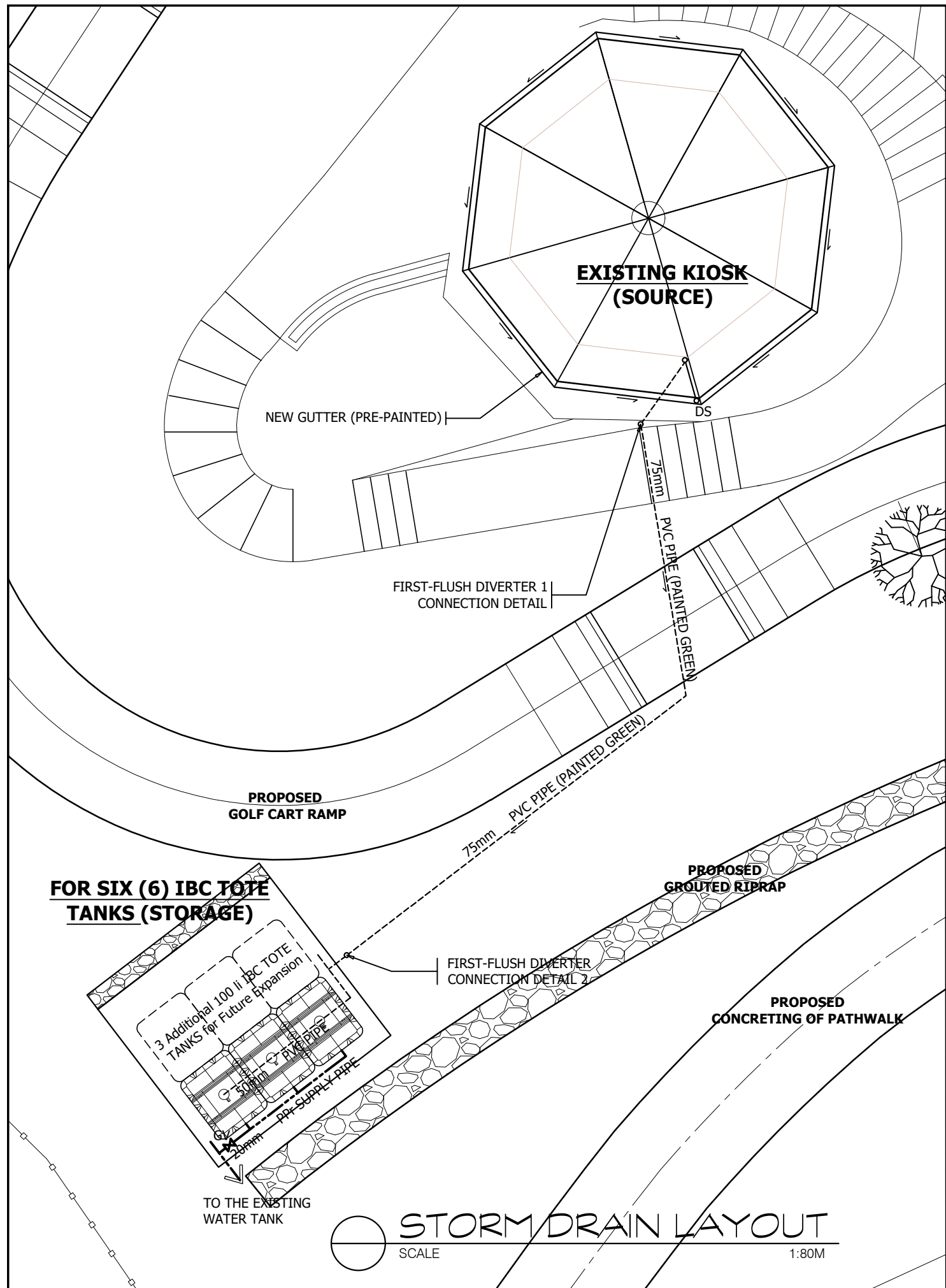
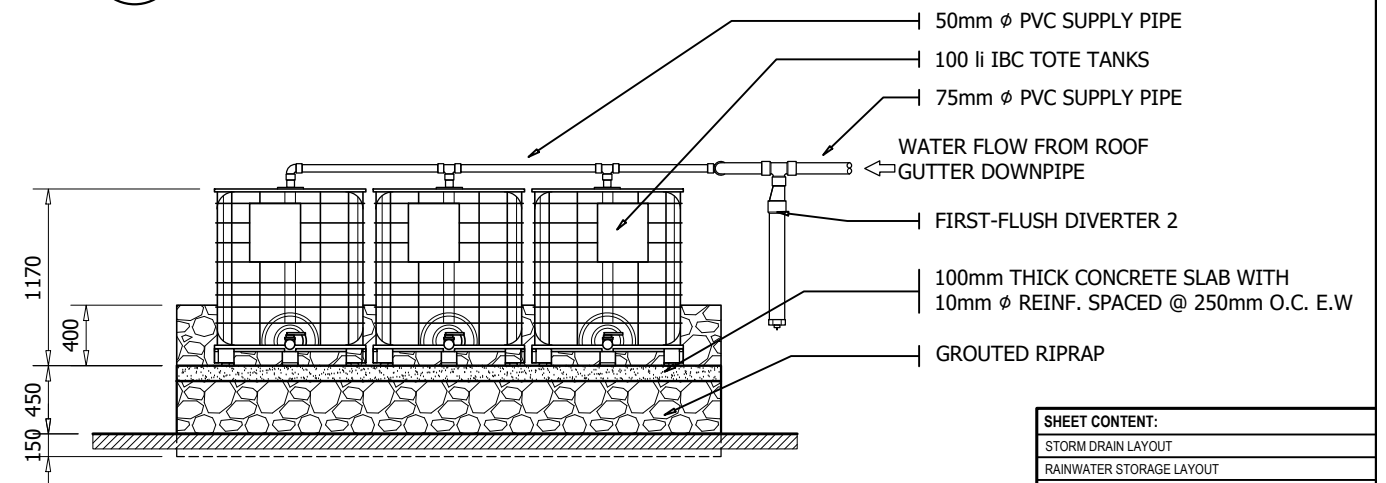


SITE DEVELOPMENT PLAN
 SCALE 1:500M

SHEET CONTENT:	
SITE DEVELOPMENT PLAN	
Republic of the Philippines Office of the President JHMC JOHN HAY MANAGEMENT CORPORATION PROJECT TITLE INSTALLATION OF RAINWATER HARVESTING TANKS AT THE HISTORICAL CORE	
NOTED BY:	
ENGR. BOBBY V. AKIA	
APPROVED BY:	
ARCH. LUZVIMINDA M. NIGOS-PANGANIBAN	
CHECKED BY:	
ARCH. LUZVIMINDA M. NIGOS-PANGANIBAN	
DRAFTED BY:	
ENGR. FERDINAND L. FIGUERRES	
DATE: OCTOBER 2019	PAGE: 1 of 3



RAINWATER STORAGE PLAN
SCALE 1:50M



FRONT ELEVATION
SCALE 1:50M

NOTE:
ALL PVC PIPES TO BE PAINTED WITH BAGUIO GREEN QDE PAINT

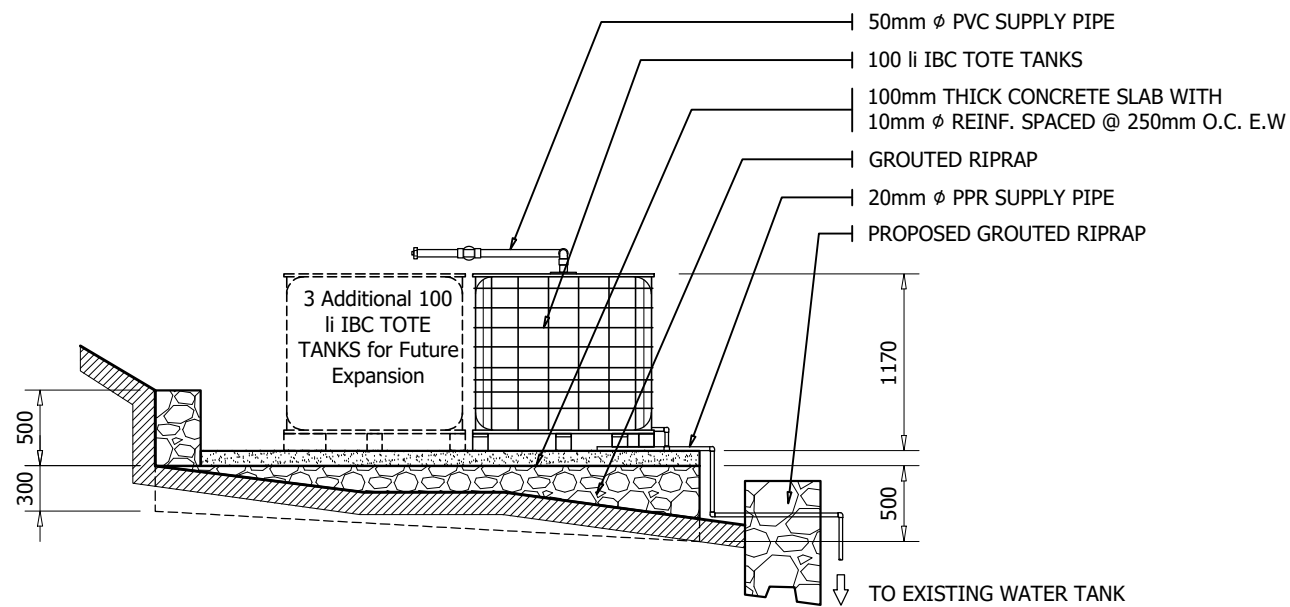
SHEET CONTENT:
STORM DRAIN LAYOUT
RAINWATER STORAGE LAYOUT
FRONT ELEVATION

Republic of the Philippines
Office of the President

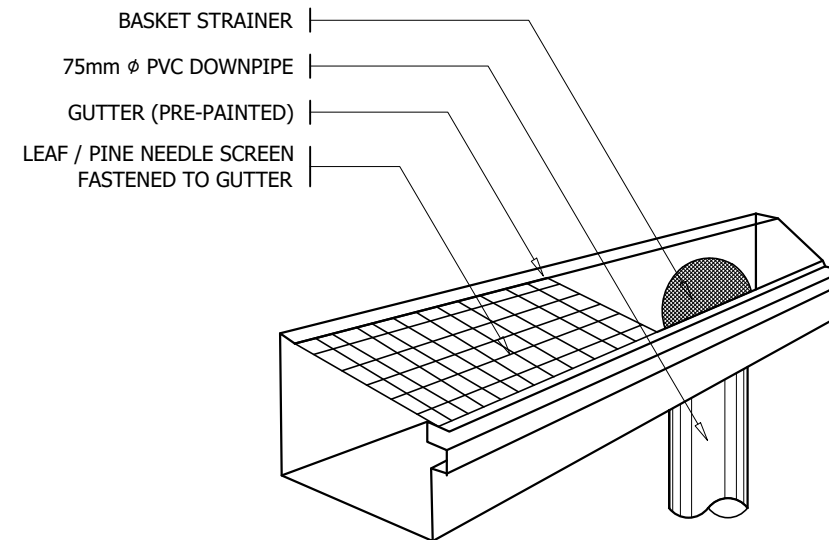
JHMC
JOHN HAY MANAGEMENT CORPORATION

PROJECT TITLE
INSTALLATION OF RAINWATER HARVESTING TANKS AT THE HISTORICAL CORE

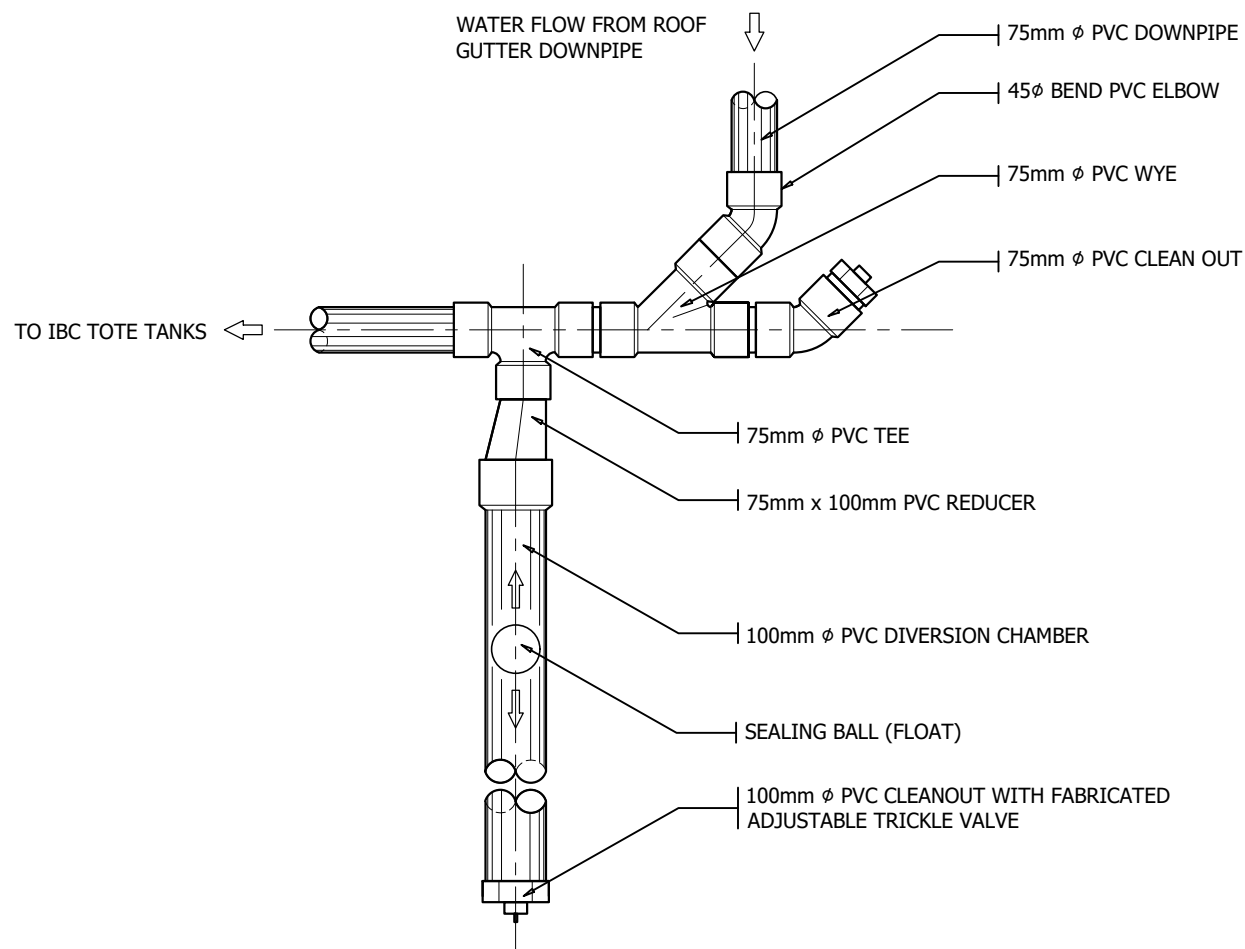
NOTED BY:
ENGR. BOBBY V. AKIA
APPROVED BY:
ARCH. LUZVIMINDA M. NIGOS-PANGANIBAN
CHECKED BY:
ARCH. LUZVIMINDA M. NIGOS-PANGANIBAN
DRAFTED BY:
ENGR. FERDINAND L. FIGUERRES
DATE: OCTOBER 2019
PAGE: 2 of 3



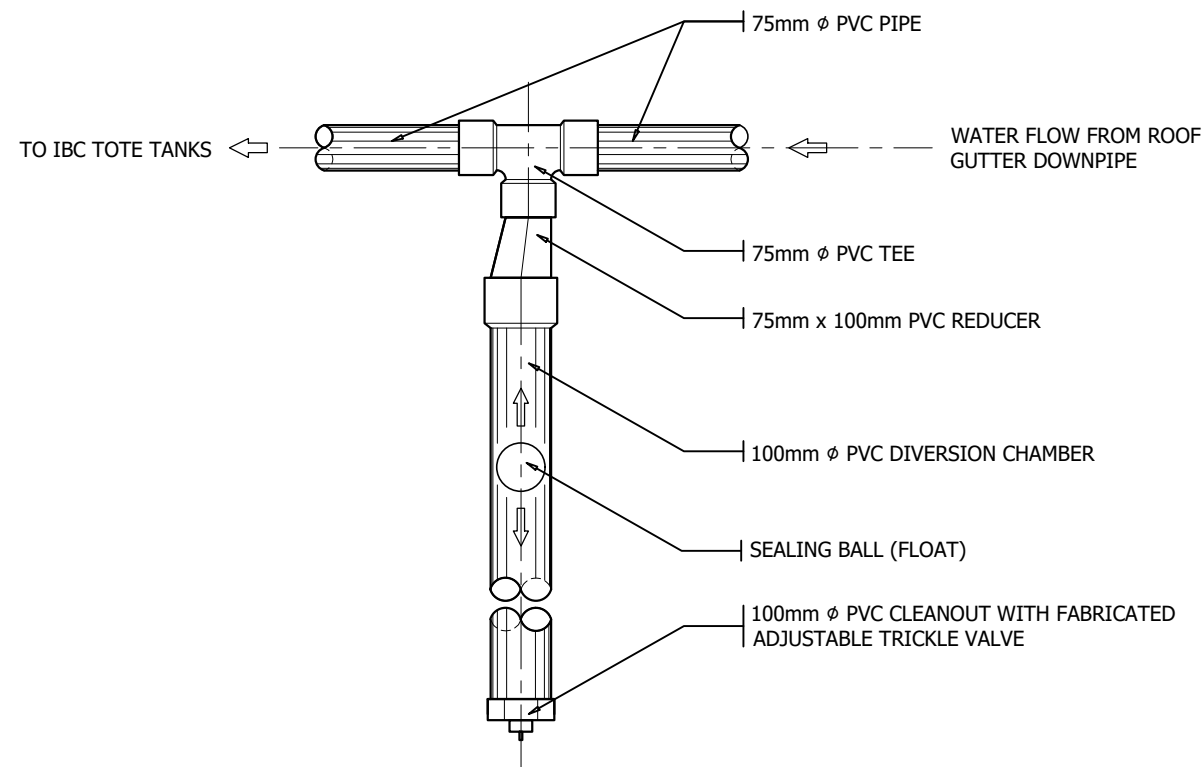
LEFT SIDE ELEVATION
 SCALE 1:50M



GUTTER DETAIL
 SCALE NTS



FIRST-FLUSH DIVERTER 1 DETAIL
 SCALE 1:5M



FIRST-FLUSH DIVERTER 2 DETAIL
 SCALE 1:5M

SHEET CONTENT:
LEFT SIDE ELEVATION
GUTTER DETAIL
FIRST FLUSH DIVERTER 1 DETAIL
FIRST FLUSH DIVERTER 2 DETAIL

Republic of the Philippines
 Office of the President

JHMC
 JOHN HAY MANAGEMENT CORPORATION

PROJECT TITLE
INSTALLATION OF RAINWATER HARVESTING TANKS AT THE HISTORICAL CORE

NOTED BY:
ENGR. BOBBY V. AKIA
APPROVED BY:
ARCH. LUZVIMINDA M. NIGOS-PANGANIBAN
CHECKED BY:
ARCH. LUZVIMINDA M. NIGOS-PANGANIBAN
DRAFTED BY:
ENGR. FERDINAND L. FIGUERRES
DATE: OCTOBER 2019
PAGE: 3 of 3