

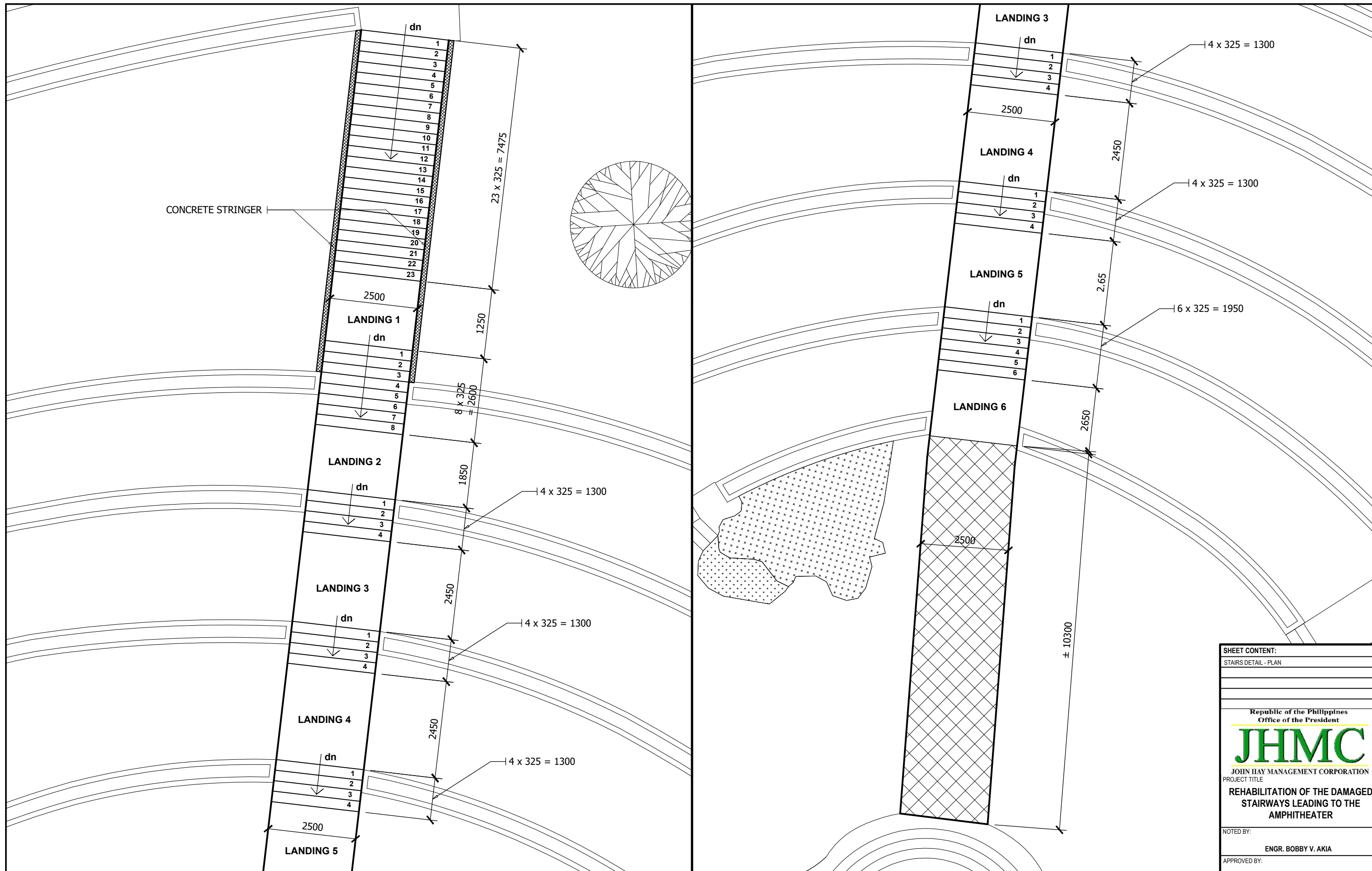
REMOVE and REPLACE
EXISTING MAIN STAIRS

PROPOSED CONCRETE
PATHWALK CONNECTING
MAIN STAIRS and GAZEBO

GAZEBO

○ SITE DEVELOPMENT PLAN
SCALE 1:200M

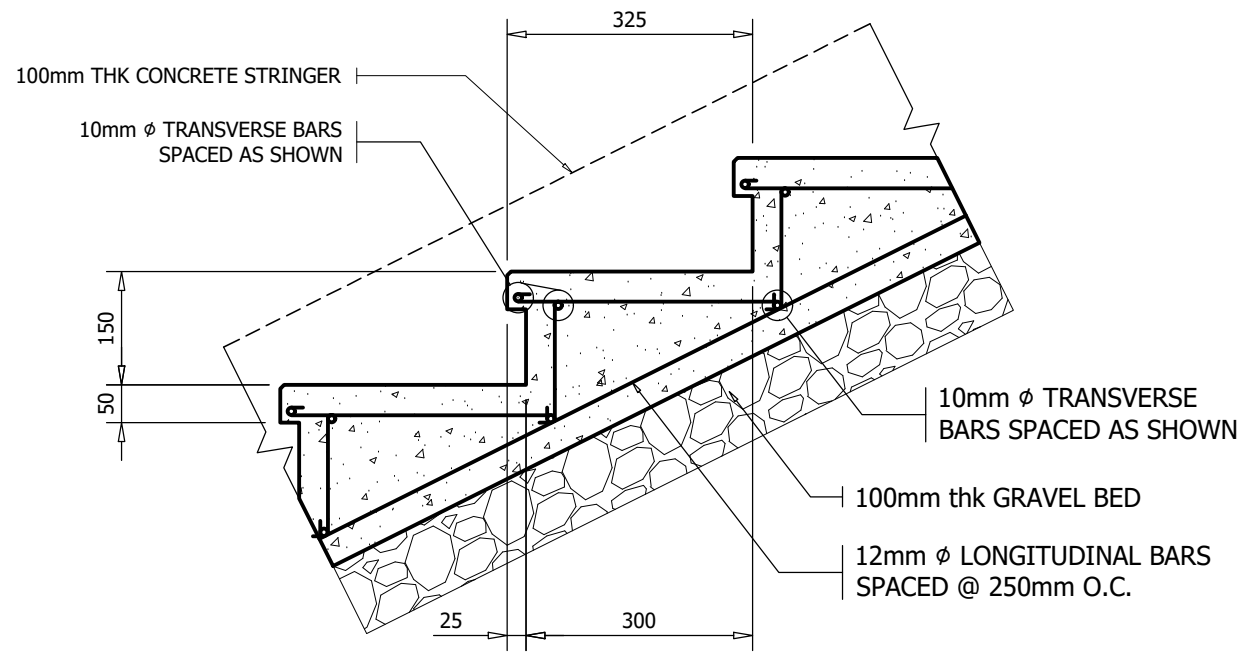
SHEET CONTENT:	
SITE DEVELOPEMNT PLAN	
Republic of the Philippines Office of the President JHMC JOHN HAY MANAGEMENT CORPORATION PROJECT TITLE REHABILITATION OF THE DAMAGED STAIRWAYS LEADING TO THE AMPHITHEATER	
NOTED BY:	ENGR. BOBBY V. AKIA
APPROVED BY:	ARCH. LUZVIMINDA M. NIGOS-PANGANIBAN
CHECKED BY:	
DRAFTED BY:	ENGR. FERDINAND L. FIGUERRES
DATE:	05 AUGUST 2019
PAGE:	1 of 3



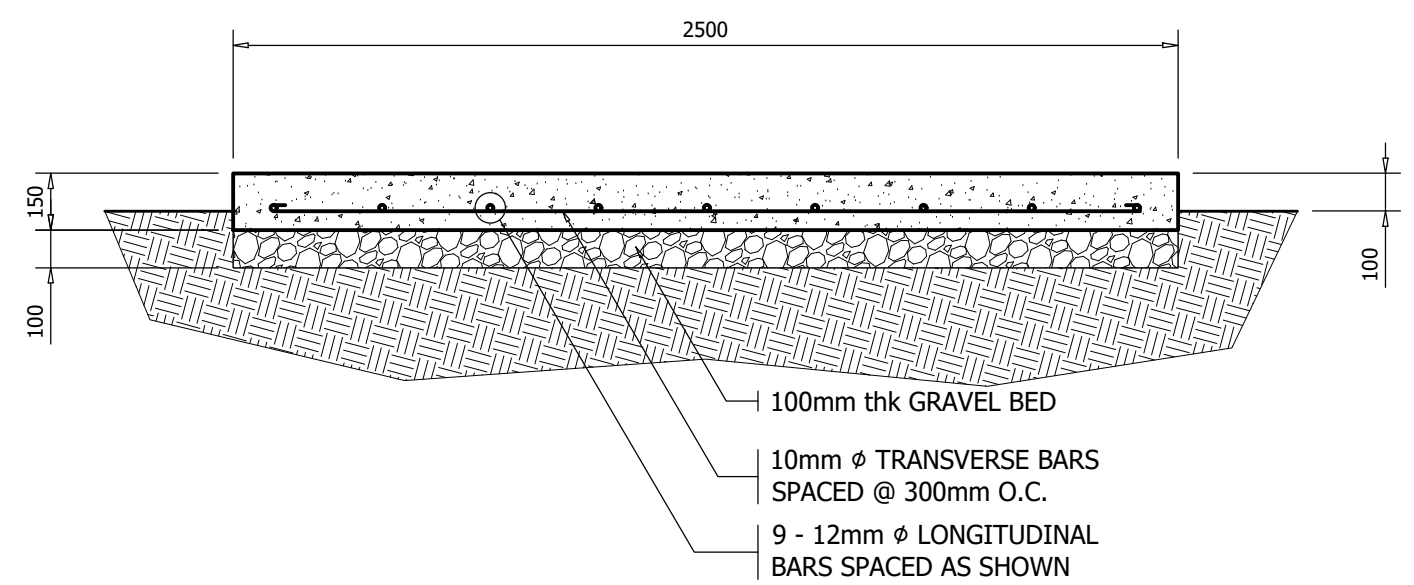
CONCRETE STRINGER

STAIRS DETAIL - PLAN
SCALE 1:1000M

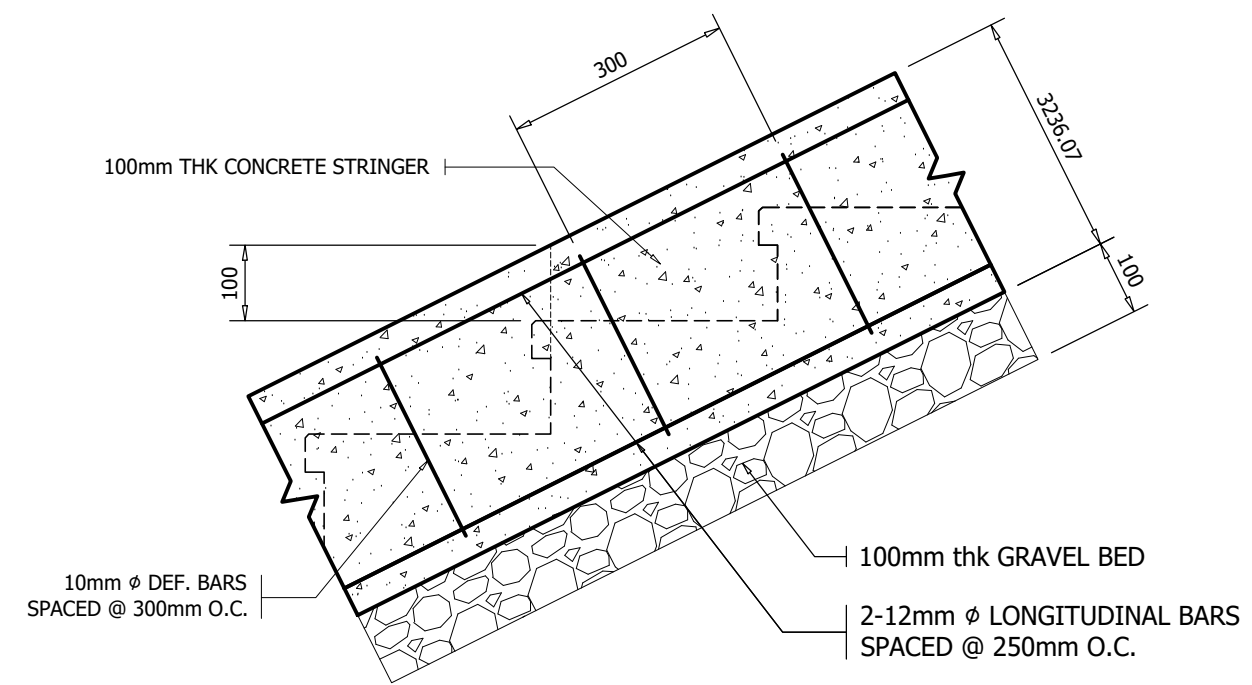
SHEET CONTENT:	
STAIRS DETAIL - PLAN	
Republic of the Philippines Office of the President JHMC JOHN HAY MANAGEMENT CORPORATION PROJECT TITLE REHABILITATION OF THE DAMAGED STAIRWAYS LEADING TO THE AMPHITHEATER	
NOTED BY:	ENGR. BOBBY V. AKIA
APPROVED BY:	ARCH. LUZVIMINDA M. NIGOS-PANGANIBAN
CHECKED BY:	
DRAFTED BY:	ENGR. FERDINAND L. FIGUERRES
D A T E:	05 AUGUST 2019
PAGE:	2 of 3



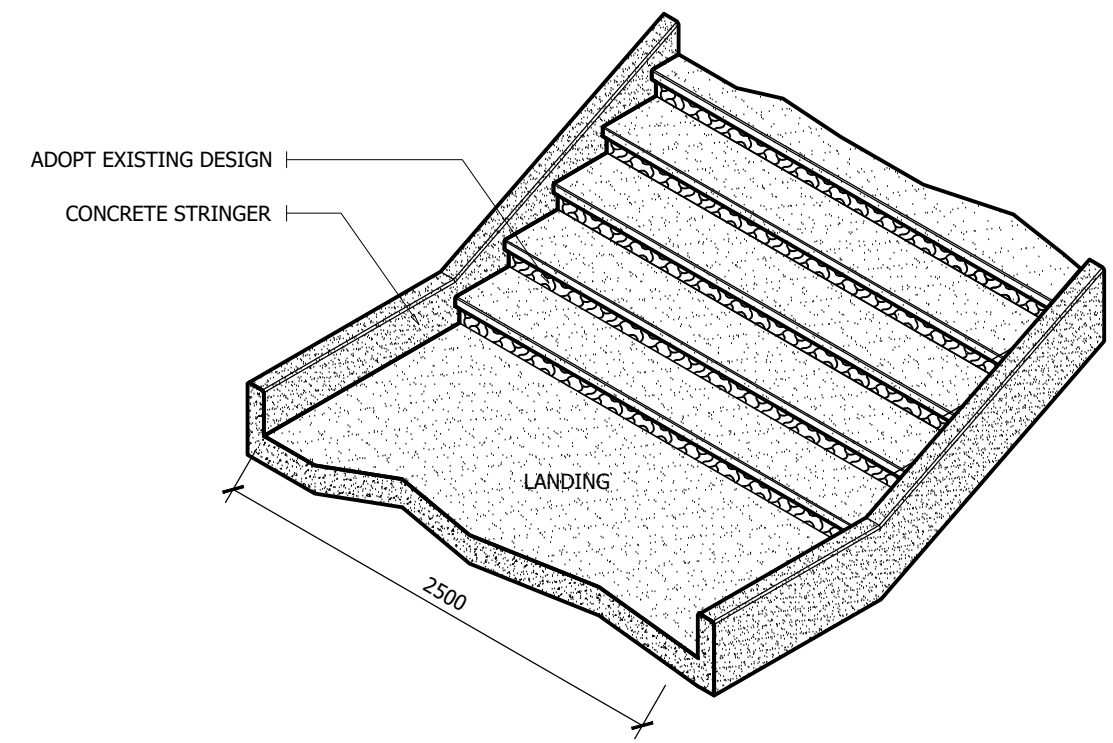
STEPS DETAIL
SCALE 1:10M



CROSS SECTION DETAIL OF PATHWALK
SCALE 1:20M



CONCRETE STRINGER DETAIL
SCALE 1:10M



TYPICAL ISOMETRY OF STAIRS
SCALE 1:40M

SHEET CONTENT:	
STEPS DETAIL	
CONCRETE STRINGER DETAIL	
CROSS SECTION DETAIL OF PATHWALK	
<p>Republic of the Philippines Office of the President</p> <p>JHMC JOHN HAY MANAGEMENT CORPORATION</p> <p>PROJECT TITLE REHABILITATION OF THE DAMAGED STAIRWAYS LEADING TO THE AMPHITHEATER</p>	
NOTED BY:	ENGR. BOBBY V. AKIA
APPROVED BY:	ARCH. LUZVIMINDA M. NIGOS-PANGANIBAN
CHECKED BY:	
DRAFTED BY:	ENGR. FERDINAND L. FIGUERRES
DATE:	05 AUGUST 2019
PAGE:	3 of 3