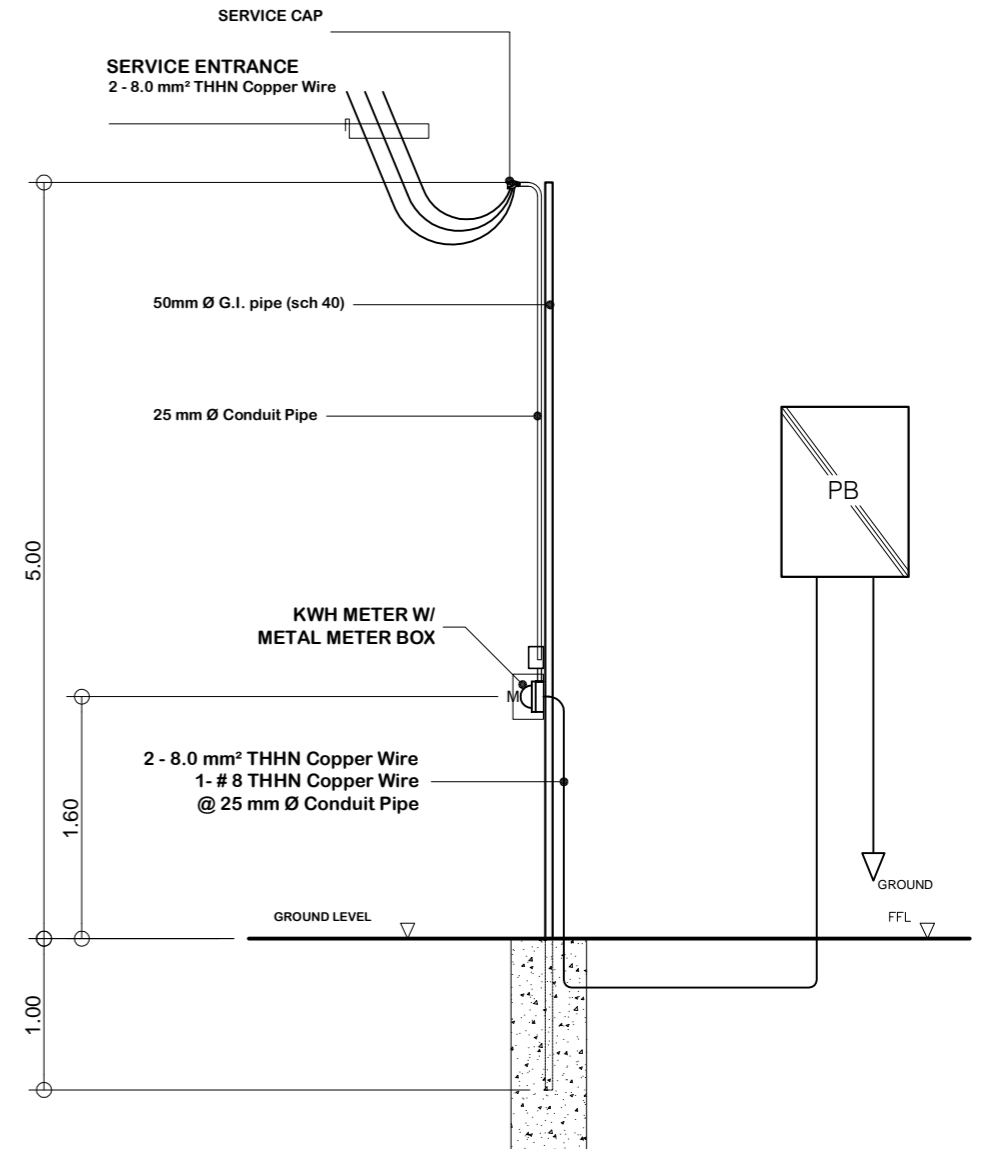


ELECTRICAL LAYOUT
SCALE 1:50m

SYMBOL DESCRIPTION

	PANEL BOARD
	CIRCUIT HOMERUN
	LIGHT RECEPTACLE, MOUNTED WITH LED BULB 6W
	DUPLEX RECEPTACLES, FLUSH MOUNTED IN WALL, GROUNDING TYPE, 2-POLE, 3W, 10A, 250V
	CIRCUIT BREAKER
	SWITCH, LIGHT, 2-POLE (FLUSHED) TWO - SWITCH IN ONE GANG PLATE



SINGLE LINE RISER DIAGRAM

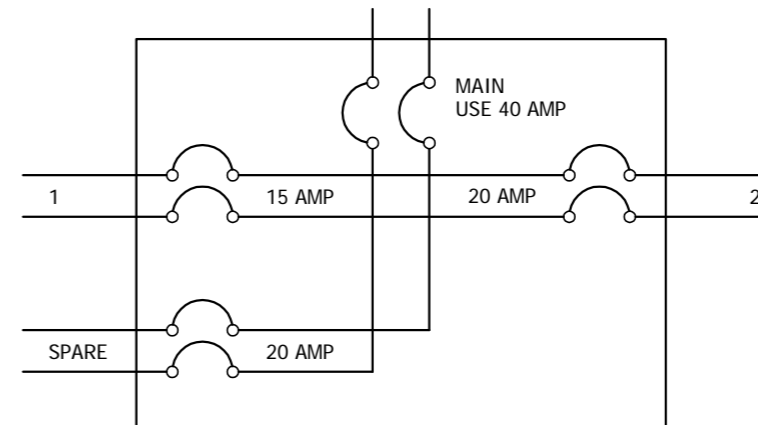
ELECTRICAL SYMBOLS

CIRCUIT NO.	LOAD DESCRIPTION	NO. OF OUTLETS	POWER (VA)	VOLTAGE (Volts)	CURRENT (Amperes)	BREAKER RATING	WIRE SIZE (mm²)	CONDUIT SIZE (mm)
1	LIGHTING LOAD	5	500	230	2.17	15 AMP	2.0	20 mm Ø
2	CONVENIENCE OUTLET	2	360	230	1.56	20 AMP	3.5	20 mm Ø
3	SPARE			230		20 AMP		
TOTAL			860		3.74			

USE:

MAIN FEEDER CONDUCTOR 2 - #8.0 mm² THHN Stranded Copper Wire
 GROUND CONDUCTOR 1 - #5.5 mm² THHN Stranded Copper Wire
 MAIN DISCONNECT 40 Amperes, 2 pole, 250 Volt Circuit Breaker

TABULATED LOAD SCHEDULE



PANEL BOARD SCHEDULE

Republic of the Philippines
Office of the President

JHMC
PROJECT TITLE

JOHN HAY MANAGEMENT CORPORATION
PROJECT

ELECTRIFICATION OF LUCNAB
FOREST RANGER STATION

CHECKED BY
ENGR. MANUEL D. SERENO, JR.

DRAFTED BY
ENGR. FERDINAND L. FIGUERRES

DATE
OCTOBER 27, 2016

page
1 of 1